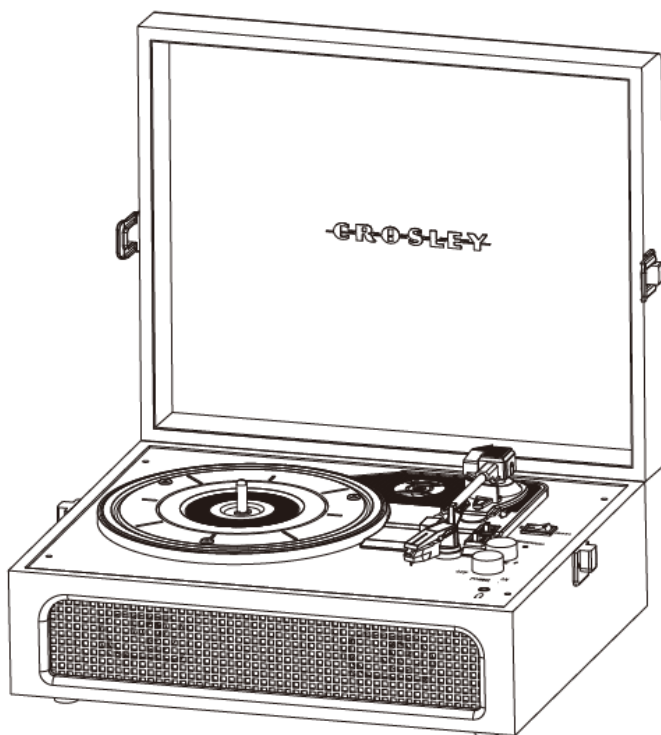




CR8017B
Voyager Turntable
Instruction Manual



Questions, problems or missing parts?
Contact us on our website www.crosleyradio.eu,
service@crosleyradio.eu or 31 (0)306622470.
Crosley products are distributed in Europe by: SF
Distributions BV.
Molensteijn 1-2
3454PT De Meern
The Netherlands
www.swordfishandfriend.com

Safety Instructions

Read and understand this entire manual before using this product. Keep these instructions for future reference.

1. Do not use this product near water.
2. This product should be operated only by the type of power source indicated on the marking label or in this instruction manual.
3. Do not defeat the safety purpose of the polarized plug. A polarized plug has two blades with one blade wider than the other. This plug will fit into the power outlet only one way. If you are unable to insert the plug fully into the outlet try reversing the plug. If the plug should still fail to fit, contact your electrician.
4. Protect the power cord from being walked on or pinched particularly at plugs, convenience receptacles, and the point where they exit from the product.
5. Do not overload wall outlets, extension cords, or integral convenience receptacles as this can result in a risk of fire or electric shock.
6. Never push objects of any kind into this product through openings as they may touch dangerous voltage points or short-out parts that could result in a fire or electric shock. Never spill liquid of any kind on the product.
7. Do not attempt to service this product yourself as opening or removing covers may expose you to dangerous voltage or other hazards. Refer all servicing to qualified service personnel.
8. Changes or modifications to this unit not expressly approved by the party responsible for compliance could void the user's authority to operate the equipment.
9. Do not use attachments not recommended by the product manufacturer as they may cause hazards.
10. A product and cart combination should be moved with care. Quick stops, excessive force, and uneven surfaces may cause the product and cart combination to overturn.
11. Slots and openings in the cabinet are provided for ventilation and to ensure reliable operation of the product and to protect it from overheating. Do not block or cover these openings.
12. Unplug the product during lightning storm or when unused for long periods of time.

Items in this package

Before throwing away any packaging materials, please check thoroughly and make sure you find the following items that come along with this package:

- Turntable
- 45 RPM adapter
- 3.5mm aux in cable
- Power adaptor

Please contact Crosley Customer Service if there is any accessory missing from the package. **Retain the original packaging materials for exchange or return purposes.**

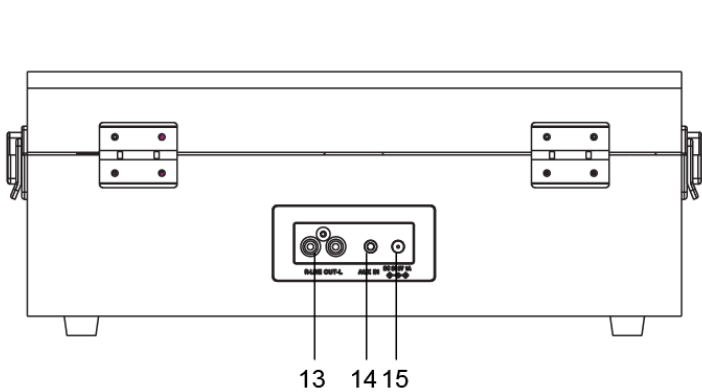
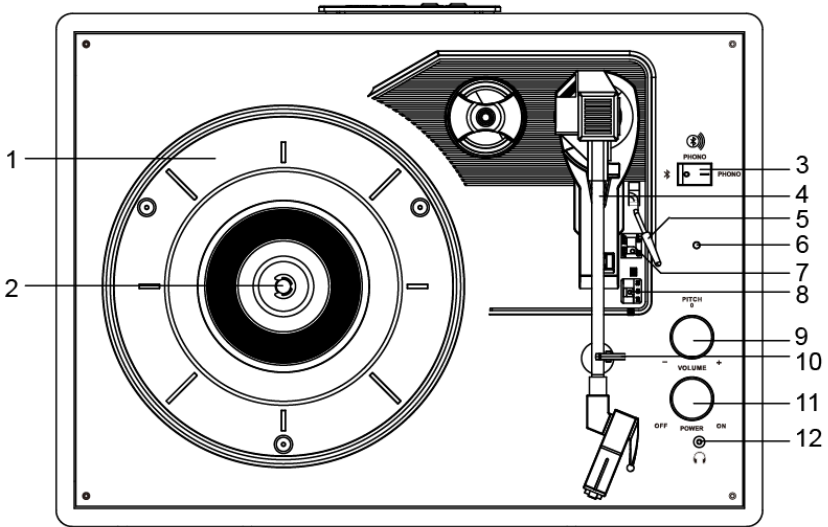
Specifications

Power	DC power adaptor, DC output 5V 1A
Power consumption	9W
Speaker	4Ω, 3W X 2
Turntable speed	33 ¹ / ₃ , 45, 78 RPM
Replacement needle	Crosley NP6

Note:

- *Design and specifications are subject to change without notice.*
- **To help save power consumption, some models will comply with ERP energy saving standard. When there is no audio input for 20 minutes, their powers will automatically cut-off. To turn power back on and resume playing, you will need to turn off the power and turn it on again.**

Product Description



- 1. Turntable Platter
- 2. Turntable Spindle
- 3. Function Switch
- 4. Tonearm
- 5. Tonearm Lever
- 6. Function Indicator
- 7. Auto-stop Switch
- 8. Speed Switch

- 9. Pitch Control
- 10. Hold Down Clip
- 11. On/Off-Volume Knob
- 12. Headphone Jack
- 13. RCA Jacks
- 14. Aux In Jack
- 15. Power Jack
- 16. 45 RPM Adapter

Initial Setup

Essential Setup

1. Place the unit on a flat and level surface. The selected location should be stable and free from vibration.
2. Remove the tie-wrap that is holding the tonearm.
3. Connect DC adaptor to the **Power Jack** of the unit.

Note: Do not plug the power adaptor to power outlet before all the assembly is completed. Before turning the power on, make sure again all the connection settings are correct. Always turn off the power when connecting or disconnecting.

Stereo System Connection

RCA Jacks

- The RCA Jacks output analog line-level signals and could be connected directly with a pair of active/powered speakers or the appropriate input of your stereo system.
- The Red plug connects with the Right channel and the White plug connects with the Left channel.

Note: The RCA Jacks are not designed to be connected directly to the passive/unpowered speakers. If connected to the passive speakers, the volume level will be very low.

Aux Input Connection

You can connect an audio device to this unit and play your music through its speakers. To do this, connect the 3.5mm auxiliary cable between your audio device and the **Aux In Jack** of this unit and start playing the music.

Note:

The aux in connection will automatically override the turntable and Bluetooth functions. To resume using the turntable or Bluetooth functions, unplug the auxiliary cable from the aux in jack.

The Function Indicator will be purple.

Turntable Operation

1. Rotate the **On/Off Volume Knob** to turn on the power.
2. Set the **Function Switch** to PHONO position.
Note: The Function Indicator will be red.
3. Set the **Speed Switch** accordingly.
4. Place the record on the turntable. Use the **45 RPM Adapter** if necessary.
5. Remove the stylus protector from the stylus assembly.
Note: To avoid stylus damage, make certain the included stylus guard is in place whenever the turntable is being moved or cleaned.
6. Release the tonearm **Hold Down Clip**.
Note: When the turntable is not in use, remember to lock back hold down clip.
7. Use the **Tonearm Lever** to lift up the tonearm.
8. Gently move the tonearm over the record where play is desired to begin. Set the **Tonearm Lever** back to the down position, the tonearm will descend slowly onto the record and begin to playback.
9. When the record is finished playing, use the **Tonearm Lever** again to raise the tonearm and then return it to the Tonearm Rest. Release the lever to let the tonearm sit back at its rest. To suspend the playback, repeat the same steps.
10. Lock the **Hold Down Clip** to secure the tonearm.

Platter Auto-stop

If the **Auto-stop Switch** is set to ON position, the platter will stop spinning automatically when the record plays to the end. In some rare occasion, if the turntable stops playing before the end of the record, set the switch to OFF position the turntable should overcome this issue.

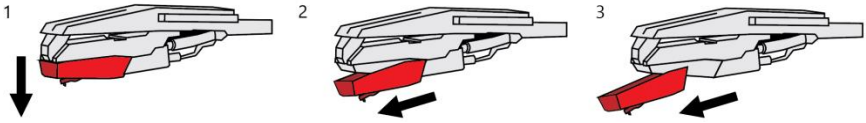
Pitch Control

The turntable speed can be increased or decreased by approximately 10% by rotating the Pitch Control Knob. To increase the speed, turn the Pitch Control Knob clockwise. To decrease the speed, turn the knob counter-clockwise.

Needle Replacement

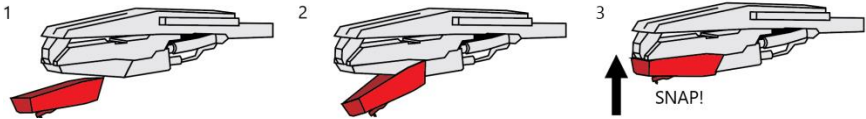
Removing Needle

1. Gently pull down the front edge of the needle.
2. Pull needle forward.
3. Pull out and remove.



Installing Needle

1. Position the needle with its tip facing down.
2. Line up the back of the needle with the cartridge.
3. Insert the needle with its front end at a downward angle and gently lift the front of the needle upward until it snaps into place.



Bluetooth Operation

1. Set the **Function Switch** to Bluetooth mode X .
Note: The function indicator will be flashing blue.
2. Turn on the Bluetooth feature of your audio device, search for "CROSLEY CR8017" and pair.
3. Once your device is successfully paired with the unit, you will hear a short confirmation sound from the unit, and the function indicator will be blue.
4. Play and stream music from your device to the unit.

Note: Bluetooth version – 5.1

Bluetooth Output Operation

This turntable features Bluetooth output which is a device that transmits audio from this turntable to another Bluetooth device such as wireless Bluetooth headphones, Bluetooth speakers, or other Bluetooth receiving devices.

1. Place the audio device that supports Bluetooth technology as close to your turntable as possible.
2. Set the turntable's function switch to the middle position for Bluetooth output.
Note: The function indicator will slowly flash blue.
3. Set the device that you would like to connect to pairing mode.
4. Your turntable will connect automatically to your audio device once they are both in pairing mode.
5. When the pairing is complete, the function indicator will be solid blue.

Note: If pairing is unsuccessful, make sure your audio device is not paired/connected to another Bluetooth device.

Turntable Maintenance

1. Do not touch the stylus tip with your fingers. Avoid bumping the stylus on the turntable mat or a record's edge.
2. Clean the stylus frequently with a soft brush with a back-to-front motion only.
3. Clean the records to get rid of dust or grease with a record cleaning brush and record cleaning solution.
4. Clean the turntable lid and turntable cabinet with a slightly damped microfiber cloth.

Note: Do not use cleanser that contains alcohol, benzene or any other harsh chemicals, which might damage the paint and finish of the turntable.

**** Crosley offers a product line of different cleaning accessories. Please ask your retailer or check out our website www.crosleyradio.com for more cleaning product information.**

Troubleshooting

There is no power

- Power adaptor is not connected correctly.
- No power at the power outlet.
- To help save power consumption, some models will comply with ERP energy saving standard. When there is no audio input for 20 minutes, their powers will automatically cut-off. To turn power back on and resume playing, turn off the power and turn it on again.

Power is on, but the platter does not turn

- Turntable's drive belt has slipped off.
- An aux in cable is plugged into the aux in jack, unplug it.

Turntable is spinning, but there is no sound, or sound not loud enough

- Stylus protector is still on.
- Tone arm is lift up by the lever.
- Headphones are plugged in.

FCC Statements

This device complies with part 15 of the FCC Rules. Operation is subject to the following two conditions:

- (1) This device may not cause harmful interference, and
- (2) this device must accept any interference received, including interference that may cause undesired operation.

Note: This equipment has been tested and found to comply with the limits for a Class B digital device, pursuant to part 15 of the FCC Rules. These limits are designed to provide reasonable protection against harmful interference in a residential installation. This equipment generates, uses and can radiate radio frequency energy and, if not installed and used in accordance with the instructions, may cause harmful interference to radio communications. However, there is no guarantee that interference will not occur in a particular installation. If this equipment does cause harmful interference to radio or television reception, which can be determined by turning the equipment off and on, the user is encouraged to try to correct the interference by one or more of the following measures:

- Reorient or relocate the receiving antenna.
- Increase the separation between the equipment and receiver.
- Connect the equipment into an outlet on a circuit different from that to which the receiver is connected.
- Consult the dealer or an experienced radio/TV technician for help.

Note: The Grantee is not responsible for any changes or modifications not expressly approved by the party responsible for compliance. such modifications could void the user's authority to operate the equipment.

The device has been evaluated to meet general RF exposure requirement.

To maintain compliance with FCC's RF exposure guidelines, the distance must be at least 20 cm between the radiator and your body, and fully supported by the operating and installation configurations of the transmitter and its antenna(s).

SIMPLIFIED EU DECLARATION OF CONFORMITY

Hereby, Modern Marketing Concepts Inc. dba Crosley Brands, declares that the radio equipment type is in compliance with Directive 2014/53/EU. The full text of the EU declaration of conformity is available at the following internet address:
<http://crosleybrands.com/euDoC>

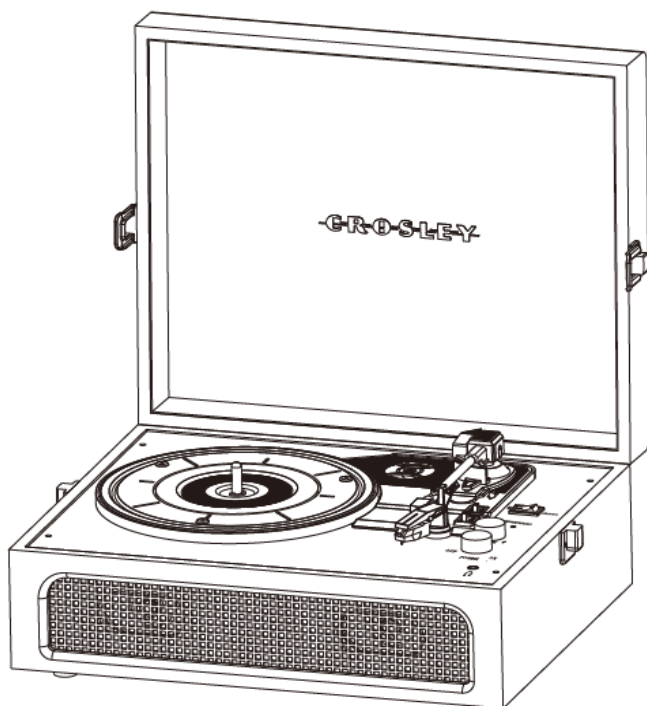


CROSLEY®

CR8017B

Voyager Tocadiscos

Manual de instrucciones



Tiene preguntas, ha tenido problemas o hay piezas faltantes?
Antes de devolver el producto a la tienda, comuníquese con nuestro
Servicio al Cliente a través de [crosleyradio.eu](https://www.crosleyradio.eu)

Crosley se distribuye en Europa por:

SF Distributions BV.

Molensteijn 1-2

3454PT De Meern

Nederland

<https://www.swordfishandfriend.com/>

Instrucciones de seguridad

Lea y comprenda este manual en su totalidad antes de usar este producto. Conserve estas instrucciones para consultarlas en el futuro.

1. No use este producto cerca del agua.
2. Este producto debe ser utilizado solo con el tipo de fuente de alimentación indicado en la etiqueta o en este manual de instrucciones.
3. No subestime el propósito de seguridad del enchufe polarizado. Un enchufe polarizado posee dos hojas; una de ellas es más ancha que la otra. Este enchufe encajará en el tomacorriente en un solo sentido. Si no logra insertar completamente el enchufe en el tomacorriente, pruebe invirtiendo el enchufe. Si aún así el enchufe no encaja, comuníquese con su electricista.
4. Proteja el cable de alimentación de ser pisado o pinzado, en especial en los enchufes, los tomacorrientes y en el punto donde el cable sale del producto.
5. No sobrecargue los tomacorrientes de pared, cables de alargue, o receptáculos integrales, ya que puede generar un riesgo de incendio o descarga eléctrica.
6. No introduzca objetos de ningún tipo en el producto a través de las ranuras, ya que pueden hacer contacto con puntos de alto voltaje o provocar un cortocircuito que ocasione fuego o una descarga eléctrica. No derrame líquidos de ningún tipo sobre el producto.
7. No intente realizar tareas de mantenimiento por su cuenta, ya que abrir o remover la cubierta puede exponerlo a un voltaje peligroso y a otros riesgos. Deje toda tarea de mantenimiento en manos de un técnico de servicio calificado.
8. Los cambios o las modificaciones que no tengan la aprobación expresa de la parte responsable del cumplimiento pueden anular el permiso del usuario para utilizar el equipo.
9. No utilice accesorios que no son recomendados por los fabricantes del producto porque pueden ser peligrosos.
10. Cualquier combinación de carro y producto debe moverse con cuidado. Las paradas súbitas, el uso de fuerza excesiva y las superficies irregulares pueden causar que el producto y el carro se vuelquen.
11. Las ranuras de ventilación y las aberturas del gabinete son provistas para la ventilación y para asegurar el correcto funcionamiento del producto y evitar el recalentamiento. No bloquee ni cubra estas aberturas.
12. Desconecte el producto durante las tormentas eléctricas o cuando no se utilice durante períodos extendidos.

Artículos en este empaque

Antes de deshacerse de cualquier material del empaque, revíselo con atención y asegúrese de encontrar los siguientes artículos que se incluyen en este paquete:

- Tocabiscos
- Adaptador de 45 rpm
- Cable de entrada de 3.5 mm
- Transformador

Comuníquese con el Servicio al Cliente de Crosley en caso de que faltara algún accesorio en el empaque. **Conserve el material de embalaje original para realizar cambios o devoluciones.**

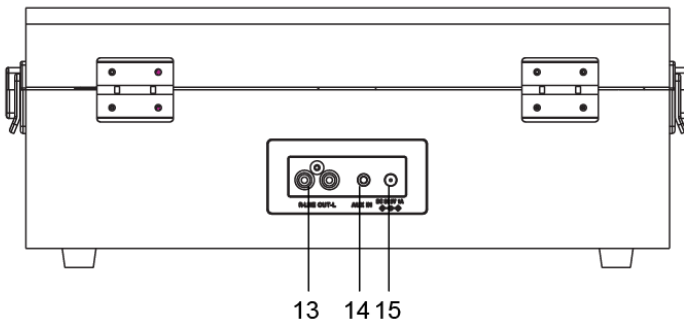
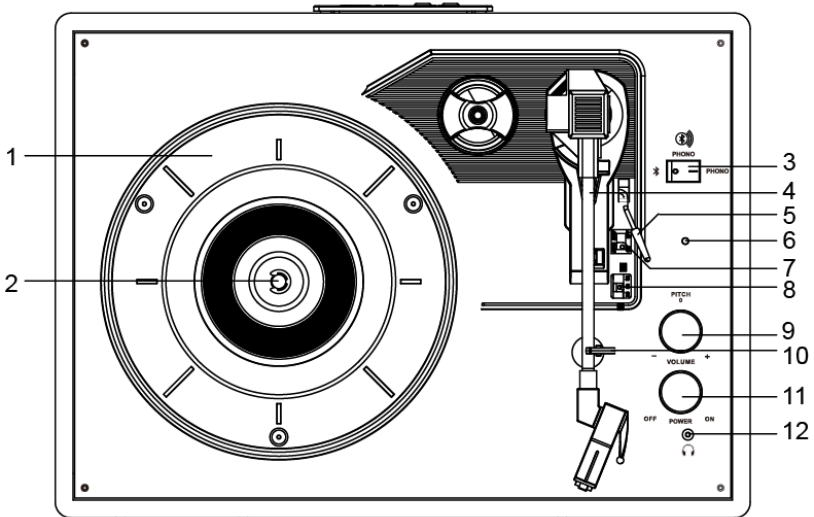
Especificaciones

Fuente de energía	Transformador de CC, salida CC de 5 V 1 A
Consumo de energía	9 W
Potencia del altavoz	4Ω, 3W X 2
Altavoz	33 ¹ / ₃ , 45, 78 RPM
Aguja de repuesto	Crosley NP6

Nota:

- *El diseño y las especificaciones están sujetos a cambios sin previo aviso.*
- **Con el fin de ahorrar en el consumo de energía, algunos modelos cumplirán con el estándar de ahorro de energía ERP (productos relacionados con la energía). En el caso de que no se produzca la entrada de audio durante 20 minutos, estos equipos se desactivarán automáticamente. Para volver a encenderlos y reanudar la reproducción, deberá apagar la unidad primero y luego volver a encenderla.**

Descripción del producto



- 1. Bandeja del tocadiscos
- 2. Eje del tocadiscos
- 3. Interruptor de funciones
- 4. Brazo del tocadiscos
- 5. Palanca del brazo
- 6. Indicador de función
- 7. Interruptor de detención automática
- 8. Interruptor de velocidad

- 9. Control de tono
- 10. Broche de sujeción
- 11. Perilla de volumen
- Encendido/Apagado
- 12. Conector de auriculares
- 13. Conectores RCA
- 14. Conector de entrada auxiliar
- 15. Conector de alimentación
- 16. Adaptador de 45 rpm

Instalación inicial

Instalación indispensable

1. Coloque la unidad en una superficie plana y nivelada. El lugar seleccionado debe ser estable y estar libre de vibraciones.
2. Quite la banda de sujeción que sostiene el brazo del tocadiscos.
3. Conecte el adaptador de CC al conector de alimentación de la unidad.

Nota: No enchufe el transformador a un tomacorriente hasta terminar de ensamblar las partes. Antes de encender el equipo, vuelva a asegurarse de que todos los ajustes de conexión estén correctos. Siempre apague la unidad al conectarla o desconectarla.

Conexión del sistema estéreo

Conectores RCA

- Los conectores RCA generan señales analógicas de nivel de línea y se pueden conectar directamente con un par de parlantes activos o en la entrada correspondiente de su sistema estéreo.
- El cable rojo se conecta en el canal derecho, y el cable blanco se conecta en el canal izquierdo.

Nota: Los conectores RCA no están diseñados para conectarse directamente a parlantes pasivos. Si se los conecta a parlantes pasivos, el nivel de volumen será muy bajo.

Conexión de entrada auxiliar

Puede conectar un dispositivo de audio a esta unidad y reproducir su música a través de los parlantes. Para hacerlo, conecte el cable auxiliar de 3.5 mm entre su dispositivo de audio y el **Conector de entrada auxiliar** de esta unidad y comience a reproducir la música.

Nota: La conexión de entrada auxiliar invalidará automáticamente la función tocadiscos o Bluetooth. Para volver a utilizar la función tocadiscos o Bluetooth, desconecte el cable auxiliar del conector de entrada auxiliar.

El Indicador de función será morado.

Funcionamiento del tocadiscos

1. Gire la **Perilla de volumen encendido/apagado** para encenderlo.
2. Ajuste el **Interruptor de funciones** a la posición FONO (PHONO).
Nota: El Indicador de función será rojo.
3. Ajuste el **Interruptor de velocidad** según corresponda.
4. Coloque el disco en el tocadiscos. De ser necesario, utilice el **Adaptador de 45 rpm**.
5. Quite el protector de la aguja fonográfica de su ensamblaje.
Nota: Para evitar los daños de la aguja fonográfica, asegúrese de que el protector esté ubicado correctamente cada vez que mueva o limpie el tocadiscos.
6. Suelte el **Broche de sujeción** del tocadiscos.
Nota: Cuando el tocadiscos no se utilice, recuerde volver a trabar el broche de sujeción.
7. Use la **Palanca del brazo del tocadiscos** para levantar el brazo.
8. Mueva suavemente el brazo del tocadiscos sobre el disco en la parte que desea comenzar a reproducir. Ajuste la **Palanca del brazo del tocadiscos** de vuelta a la posición hacia abajo. El brazo bajará lentamente hacia el disco y se comenzará a reproducir.
9. Cuando el disco termine de reproducirse, utilice la **Palanca del brazo del tocadiscos** una vez más para levantar el brazo y volver a colocarlo en el **Soporte del brazo**. Suelte la palanca para permitir que el brazo vuelva a apoyarse sobre su soporte. Para suspender la reproducción, siga los mismos pasos.
10. Trabe el **Broche del brazo del tocadiscos** para asegurarlo.

Detención automática de la bandeja

Si el **Interruptor de detención automática** se encuentra en la posición ENCENDIDO, la bandeja dejará de girar automáticamente cuando el disco termine de reproducirse. En raras ocasiones, si el tocadiscos deja de reproducir el disco antes de que termine, ajuste el interruptor a la posición APAGADO. El problema se debería solucionar de esta manera.

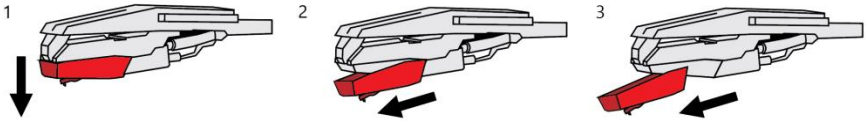
Control de tono

La velocidad de la plataforma puede ser aumentado o disminuido en aproximadamente un 10% girando el botón de control de tono. Para aumentar la velocidad, gire la perilla de control de Pitch las agujas del reloj. Para disminuir la velocidad, girar el mando en sentido antihorario.

Reemplazo de la aguja

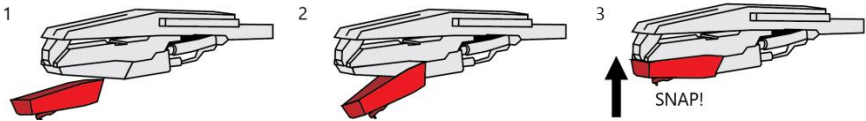
Quitar la aguja

1. Tire del borde delantero de la aguja con suavidad.
2. Tire la aguja hacia adelante.
3. Tire hacia fuera y quítela.



Instalar la aguja

1. Coloque la aguja de manera tal que la punta quede hacia abajo.
2. Alinee la parte trasera de la aguja con la cápsula.
3. Introduzca la aguja con el extremo delantero en un ángulo descendente y suavemente levante la parte delantera de la aguja hacia arriba hasta que se traben en su lugar.



Funcionamiento de Bluetooth

1. Coloque la **perilla de funciones** en modo Bluetooth X .
Nota: El Indicador de función parpadeará en azul.
2. Active la conexión de Bluetooth en el dispositivo de audio, busque "CROSLEY CR8017" y conéctelo.
3. Una vez que el dispositivo quede conectado correctamente, la unidad emitirá un sonido corto de confirmación, y el indicador de función será azul.
4. Reproduzca música en forma inalámbrica desde el dispositivo hacia la unidad.

Nota: Versión de Bluetooth – 5.1

Operación de salida Bluetooth

Este tocadiscos cuenta con salida Bluetooth, que es un dispositivo que transmite audio desde este tocadiscos a otro dispositivo Bluetooth, como audífonos Bluetooth inalámbricos, altavoces Bluetooth u otros dispositivos receptores Bluetooth.

1. Coloque el dispositivo de audio compatible con la tecnología Bluetooth lo más cerca posible de su tocadiscos.
2. Coloque el interruptor de función del tocadiscos en la posición central para la salida Bluetooth.

Nota: El indicador de función parpadeará lentamente en azul.

3. Establezca el dispositivo que desea conectar al modo de emparejamiento.
4. El tocadiscos se conectará automáticamente al dispositivo de audio una vez que ambos estén en modo de emparejamiento.
5. Cuando el emparejamiento haya finalizado, el indicador de función permanecerá en color azul sólido.

Nota: Si el emparejamiento no es exitoso, asegúrese de que su dispositivo de audio no esté emparejado/conectado a otro dispositivo Bluetooth.

Mantenimiento del tocadiscos

1. No toque la punta de la aguja fonográfica con los dedos. Evite golpear la aguja fonográfica con el cobertor para el tocadiscos o con el borde del disco.
2. Limpie la aguja fonográfica con frecuencia con un cepillo suave mediante movimientos de atrás hacia adelante.
3. Limpie los discos para quitarles el polvo o la grasa con un cepillo para limpiar discos y con una solución de limpieza para discos.
4. Limpie la tapa del tocadiscos y el gabinete con un paño de microfibras ligeramente humedecido.

Nota: No utilice otros limpiadores que contengan alcohol, benceno o cualquier otro químico agresivo que pueda dañar la pintura y la terminación del tocadiscos.

**** Crosley ofrece una línea de productos de distintos accesorios de limpieza. Para obtener más información acerca de los productos de limpieza, consulte a un comerciante o visite nuestro sitio web www.crosleyradio.com.**

Solución de problemas

La unidad no enciende.

- El transformador no está conectado correctamente.
- No hay energía en el tomacorriente.
- Con el fin de ahorrar en el consumo de energía, algunos modelos cumplirán con el estándar de ahorro de energía ERP (productos relacionados con la energía). En el caso de que no se produzca la entrada de audio durante 20 minutos, estos equipos se desactivarán automáticamente. Para volver a encender la unidad y reanudar la reproducción, apáguela y vuelva a encenderla.

El equipo está encendido pero la bandeja no gira.

- Se ha salido la correa de transmisión del tocadiscos.
- Un cable de entrada auxiliar está conectado en el conector de entrada auxiliar. Desconéctelo.

El tocadiscos gira pero no emite sonidos o los sonidos no son lo suficientemente fuertes.

- El protector de la aguja fonográfica aún está colocado.
- La palanca levanta el brazo del tocadiscos.
- Los auriculares están conectados.

Declaraciones de la FCC

Este dispositivo cumple con la Sección 15 de las reglas de la Comisión Federal de Comunicaciones (FCC). El uso de este equipo está sujeto a las dos condiciones siguientes:

- (1) Este dispositivo no causa interferencia perjudicial y
- (2) este dispositivo debe aceptar cualquier interferencia recibida, incluso interferencia que pueda causar un funcionamiento no deseado.

Nota: Este equipo se verificó y se comprobó que cumple con los límites para un dispositivo digital clase B, conforme a la Sección 15 de las reglas de la Comisión Federal de Comunicaciones (FCC). Estos límites están diseñados para brindar una protección razonable frente a interferencia perjudicial en un establecimiento residencial. Este equipo genera, usa y puede irradiar energía de radiofrecuencia y, si no se instala y utiliza siguiendo las instrucciones, puede causar interferencia perjudicial a las radiocomunicaciones. Sin embargo, no existe garantía de que la interferencia no ocurrirá en una instalación en particular. Si este equipo causa interferencia perjudicial a las radiocomunicaciones o a la recepción televisiva, lo que se puede determinar al encender y apagar el equipo, se recomienda que el usuario intente corregir la interferencia mediante una o más de las siguientes medidas:

- Reorientar o reubicar la antena de recepción.
- Aumentar la separación entre el equipo y el receptor.
- Conectar el equipo a una toma en un circuito diferente del circuito en el que está conectado el receptor.
- Consultar al proveedor o a un técnico con experiencia en radio/TV para obtener ayuda.

Nota: El Beneficiario no es responsable de cualquier cambio o modificación que no tenga la aprobación expresa de la parte responsable del cumplimiento. Estas modificaciones podrían anular la autoridad del usuario para operar el equipo.

El dispositivo ha sido evaluado para cumplir con el requisito general de exposición a RF. Para mantener el cumplimiento de las pautas de exposición a RF de la FCC, la distancia debe ser de al menos 20 cm entre el radiador y su cuerpo, y debe estar totalmente soportada por las configuraciones de instalación y operación del transmisor y su(s) antena(s).

DECLARACIÓN DE CONFORMIDAD SIMPLIFICADA DE EU

Por la presente, Modern Marketing Concepts Inc., que opera bajo la denominación comercial de Crosley Brands, declara que el tipo de equipo de radio cumple con la Directiva 2014/53/UE. El texto completo de la declaración de conformidad de la UE está disponible en la siguiente dirección de Internet:
<http://crosleybrands.com/euDoC>

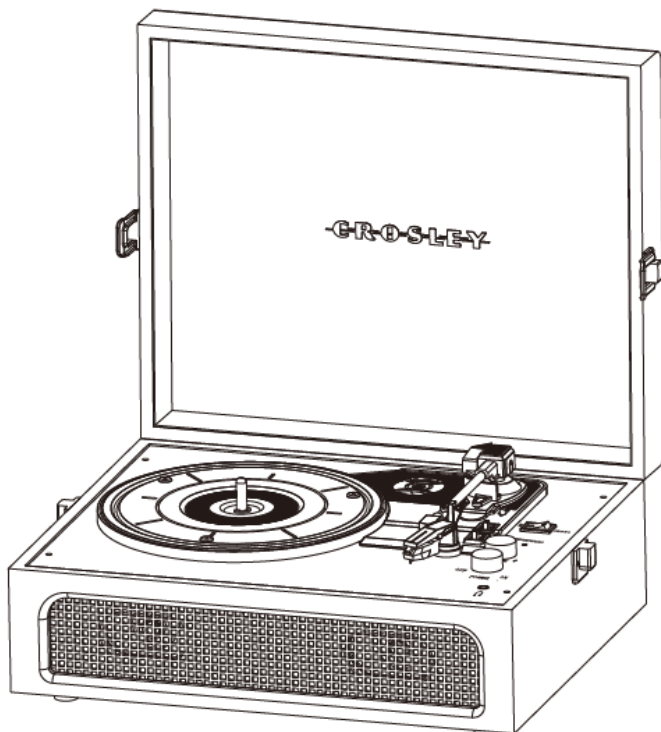


CROSLEY®

CR8017B

Platine tourne-disque Voyager

Manuel d'utilisation



Questions, problèmes, pièces manquantes?
Avant de retourner au magasin, appelez le service client sur
www.crosleyradio.eu,
service@crosleyradio.eu ou +31 (0) 306622470.

Crosley est distribué en Europe par:

SF Distributions BV.

Molensteijn 1-2

3454PT De Meern

les Pays-Bas

www.swordfishandfriend.com

Instructions de sécurité

Veillez lire et comprendre l'intégralité de ce manuel avant d'utiliser ce produit. Conservez ces instructions pour pouvoir les consulter ultérieurement.

1. Ne pas utiliser ce produit près de l'eau.
2. Ce produit doit être alimenté uniquement par le type de source d'alimentation indiqué sur l'étiquette ou dans le présent manuel d'utilisation.
3. Ne pas tenter de modifier le dispositif de sécurité que constitue la fiche polarisée. Une fiche polarisée a deux lames, l'une étant plus large que l'autre. Cette fiche peut être insérée dans une prise électrique d'une seule façon. S'il est impossible d'insérer la fiche complètement dans la prise, inverser la fiche. Si la fiche ne peut toujours pas s'insérer entièrement, contacter un électricien.
4. Faire en sorte que personne ne marche sur le cordon d'alimentation ou que ce dernier ne soit pas pincé, notamment au niveau des fiches, des prises murales et du point de sortie du produit.
5. Ne pas surcharger les prises murales, cordons de rallonge ou prises de courant intégrales, car cela pourrait entraîner un risque d'incendie ou de décharge électrique.
6. Ne jamais pousser d'objets, quelle que soit leur nature, dans les ouvertures, car ils pourraient toucher des points de tension dangereux ou court-circuiter des pièces, ce qui pourrait entraîner un incendie ou une décharge électrique. Ne jamais renverser de liquide, quelle qu'en soit la nature, sur le produit.
7. Ne pas tenter de réparer ce produit vous-même, car couvrir ou ôter des couvercles pourrait vous exposer à une tension dangereuse ou à d'autres dangers. Faire appel à une personne qualifiée pour toutes les réparations.
8. Les changements ou les modifications non approuvés expressément par la partie responsable de la conformité pourraient annuler le droit de l'utilisateur de faire fonctionner le matériel.
9. Ne pas utiliser d'accessoires non recommandés par le fabricant du produit, car ils pourraient causer des dommages.
10. Il est important de déplacer avec prudence le produit s'il se trouve sur un chariot. Les arrêts brusques, une force excessive et les surfaces inégales peuvent entraîner le retournement du produit sur un chariot.
11. Des fentes et ouvertures sont présentes dans le boîtier pour la ventilation, pour assurer un fonctionnement fiable du produit et pour le protéger d'une surchauffe. Ne pas bloquer ou couvrir ces ouvertures.
12. Débrancher le produit pendant un orage ou lorsqu'il est inutilisé pendant une période prolongée.

Contenu de la trousse

Avant de jeter les emballages, veuillez les passer en revue minutieusement et vérifier que vous avez les éléments suivants fournis dans cette trousse :

- Tourne-disque
- Adaptateur 45 tours
- Câble d'entrée auxiliaire de 3,5 mm
- Adaptateur d'alimentation

Veuillez contacter le service à la clientèle de Crosley s'il manque des accessoires dans la trousse. **Conservez les emballages d'origine pour procéder à un échange ou à un retour.**

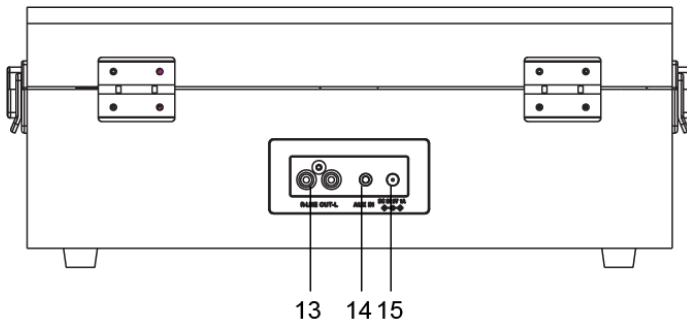
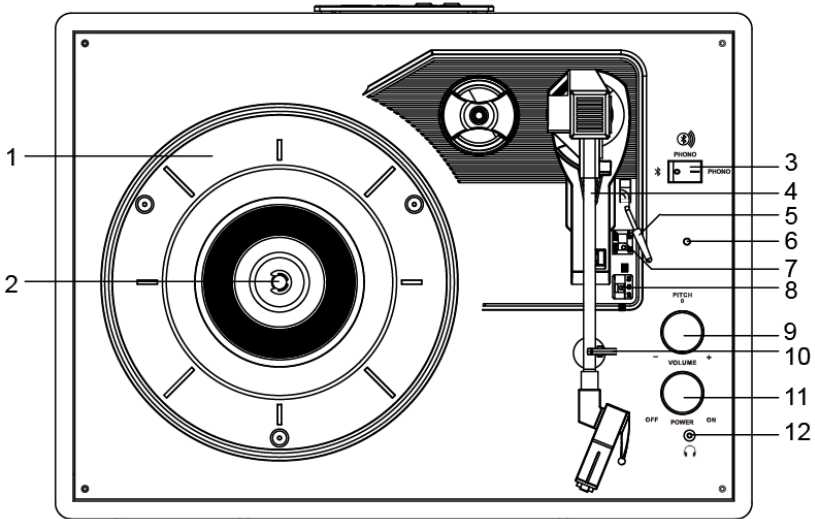
Spécifications

Alimentation	Adaptateur c.c., sortie c.c. 5 V 1 A
Consommation électrique	9 W
Haut-parleur	4Ω, 3W X 2
Vitesse du tourne-disque	33 ¹ / ₃ , 45, 78 T/M
Aiguille de rechange	Crosley NP6

Remarque :

- *La conception et les spécifications sont sujettes à modification sans préavis.*
- **Pour contribuer à économiser de l'énergie, certains modèles se conformeront à la norme d'économie d'énergie ERP (Energy-Related Products). En l'absence d'entrée audio pendant 20 minutes, l'alimentation se coupera automatiquement. Pour rétablir l'alimentation en courant et reprendre la lecture, vous devrez éteindre l'appareil puis le rallumer.**

Description du produit



- | | |
|---|---|
| <ol style="list-style-type: none"> 1. Plateau du tourne-disque 2. Broche du tourne-disque 3. Sélecteur de fonction 4. Bras de lecture 5. Levier du bras de lecture 6. Voyant de fonction 7. Commutateur d'arrêt automatique 8. Sélecteur de vitesse | <ol style="list-style-type: none"> 9. Variateur de vitesse 10. Attache de retenue 11. Bouton ON/OFF du volume 12. Prise pour casque d'écoute 13. Prises RCA 14. Prise d'entrée aux 15. Prise d'alimentation 16. Adaptateur 45 tours |
|---|---|

Configuration initiale

Configuration de base

1. Placez l'appareil sur une surface plane. L'emplacement choisi doit être stable et sans vibration.
2. Retirez l'attache qui retient le bras de lecture.
3. Branchez l'adaptateur c.c. à la prise d'alimentation de l'appareil.

Remarque : Ne branchez pas l'adaptateur à la prise avant la fin du montage. Avant d'allumer l'appareil, vérifiez à nouveau que tous les paramètres des branchements sont corrects. Mettez toujours l'appareil hors tension lorsque vous effectuez ou supprimez des branchements.

Branchement du système stéréo

Prises RCA

- Les prises RCA émettent des signaux de niveau de ligne analogique et peuvent être connectées directement avec une paire de haut-parleurs actifs/sous tension ou l'entrée appropriée de votre système stéréo.
- La prise rouge se branche sur le canal droit et la prise blanche se branche sur le canal gauche.

Remarque : Les prises RCA ne sont pas conçues pour être branchées directement aux haut-parleurs passifs/qui ne sont pas sous tension. Si elles sont branchées aux haut-parleurs passifs, le niveau du volume sera très bas.

Branchement de l'entrée Aux

Vous pouvez brancher un périphérique audio à cet appareil afin d'écouter de la musique avec vos écouteurs. Pour cela, branchez le câble auxiliaire 3,5 mm entre votre périphérique audio et la **prise d'entrée Aux** de cet appareil et commencez à écouter de la musique.

Remarque :

La prise d'entrée Aux ignorera automatiquement les fonctions tourne-disque ou Bluetooth. Pour utiliser à nouveau les fonctions tourne-disque ou Bluetooth, débranchez le câble auxiliaire de la prise d'entrée Aux.

Le voyant de fonction sera violet.

Utilisation du tourne-disque

1. Tournez le bouton On/Off du volume pour mettre l'appareil sous tension.
2. Mettez le sélecteur de fonction en position PHONO (PHONO).
Remarque : Le voyant de fonction sera rouge.
3. Réglez le sélecteur de vitesse en conséquence.
4. Placez le disque sur le tourne-disque. Utilisez l'adaptateur 45 tours si besoin.
5. Retirez la protection du stylet de son assemblage.
Remarque : Pour éviter d'endommager le stylet, vérifiez que la protection intégrée du stylet est bien en place lorsque vous déplacez ou nettoyez le tourne-disque.
6. Relâchez l'attache de retenue du bras de lecture.
Remarque : Lorsque vous n'utilisez pas le tourne-disque, n'oubliez pas de verrouiller à nouveau l'attache de retenue.
7. Utilisez le levier du bras de lecture pour soulever le bras de lecture.
8. Déplacez doucement le bras de lecture au-dessus du disque, là où vous souhaitez commencer la lecture. Abaissez le levier du bras de lecture. Le bras de lecture descendra doucement sur le disque et commencera la lecture.
9. Lorsque la lecture du disque est terminée, utilisez à nouveau le levier du bras de lecture pour soulever le bras de lecture et le remettre sur le support du bras de lecture. Relâchez le levier pour reposer le bras de lecture sur son support. Pour interrompre la lecture, répétez les mêmes étapes.
10. Verrouillez l'attache du bras de lecture pour retenir le bras de lecture.

Arrêt automatique du plateau

Si le **sélecteur d'arrêt automatique** est en position ON (MARCHE), le plateau s'arrêtera automatiquement de tourner lorsque la lecture du disque sera terminée. Dans quelques rares occasions, si le tourne-disque s'arrête de lire avant la fin du disque, positionnez le sélecteur sur OFF (ARRÊT) : le tourne-disque devrait surmonter ce problème.

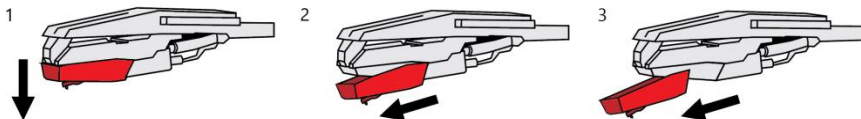
Variateur de vitesse

La vitesse de platine peut être augmentée ou diminuée d'environ 10% en faisant tourner le bouton de commande de hauteur. Pour augmenter la vitesse, tourner le Pitch Control Knob dans le sens horaire. Pour réduire la vitesse, tournez le bouton dans le sens antihoraire.

Remplacement de l'aiguille

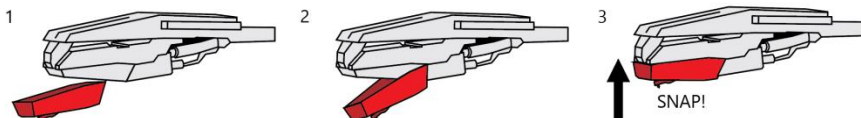
Retrait de l'aiguille

1. Tirez doucement vers le bas le bord avant de l'aiguille.
2. Tirez l'aiguille vers l'avant.
3. Tirez vers l'extérieur pour l'enlever.



Installation de l'aiguille

1. Positionnez l'aiguille avec son extrémité vers le bas.
2. Alignez l'arrière de l'aiguille avec la cartouche.
3. Insérez l'aiguille avec son extrémité avant à un angle descendant et soulevez doucement l'avant de l'aiguille vers le haut jusqu'à ce qu'il s'enclenche.



Utilisation du Bluetooth

1. Mettez le **Sélecteur de fonction** sur le mode Bluetooth X .
Remarque : L'indicateur de fonction clignote en bleu.
2. Activez la fonction Bluetooth de votre appareil audio, recherchez « CROSLEY CR8017 » et associez l'appareil.
3. Une fois votre appareil associé à l'unité, celle-ci émettra un bref son de confirmation, et l'indicateur de fonction sera bleu.
4. Lire et diffuser de la musique en continu de votre appareil sur l'unité.

Remarque : Versions de Bluetooth – 5.1

Fonctionnement de la sortie Bluetooth

Ce tourne-disque est doté d'une sortie Bluetooth qui transmet l'audio de ce tourne-disque à un autre appareil Bluetooth comme un casque sans fil, des haut-parleurs ou d'autres appareils de réception Bluetooth.

1. Placez l'appareil audio qui prend en charge la technologie Bluetooth aussi près que possible de votre tourne-disque.
2. Réglez le sélecteur de fonction du tourne-disque à la position du milieu pour la sortie Bluetooth.

Remarque : Le voyant de fonction clignote lentement en bleu.

3. Réglez l'appareil que vous souhaitez connecter au mode de jumelage.
4. Votre tourne-disque se connectera automatiquement à votre appareil audio une fois qu'ils seront en mode de jumelage.
5. Une fois le jumelage terminé, le voyant de fonction devient bleu fixe.

Remarque : Si le jumelage échoue, assurez-vous que votre appareil audio n'est pas jumelé ou connecté à un autre appareil Bluetooth.

Entretien du tourne-disque

1. Ne pas toucher l'extrémité du stylet avec vos doigts. Éviter de cogner le stylet sur le tapis du tourne-disque ou le bord du disque.
2. Nettoyer souvent le stylet avec une brosse douce dans un mouvement d'arrière vers l'avant uniquement.
3. Nettoyer les disques pour retirer la poussière ou la graisse avec une brosse de nettoyage pour disque et une solution nettoyante pour disque.
4. Nettoyer le couvercle du tourne-disque et le boîtier du tourne-disque avec un chiffon microfibre légèrement humide.

Remarque : Ne pas utiliser d'autre nettoyant contenant de l'alcool, du benzène ou tout autre produit chimique nocif qui pourrait endommager la peinture et la finition du tourne-disque.

**** Crosley propose toute une gamme d'accessoires de nettoyage.**

Veillez contacter votre détaillant ou consulter notre site Web

www.crosleyradio.com pour obtenir plus d'informations sur les produits de nettoyage.

Dépannage

L'appareil ne s'allume pas

- L'adaptateur d'alimentation n'est pas branché correctement.
- Aucune alimentation au niveau de la prise électrique.
- Pour contribuer à économiser de l'énergie, certains modèles se conformeront à la norme d'économie d'énergie ERP (Energy-Related Products). En l'absence d'entrée audio pendant 20 minutes, l'alimentation se coupera automatiquement. Pour rétablir l'alimentation en courant et reprendre la lecture, éteignez l'appareil puis rallumez-le.

L'appareil est allumé, mais le plateau ne tourne pas

- La courroie d'entraînement du tourne-disque a glissé.
- Un câble d'entrée Aux est branché à la prise d'entrée Aux, débranchez-le.

Le tourne-disque tourne, mais il n'y a pas de son ou le son n'est pas suffisamment fort.

- La protection du stylet n'a pas été enlevée.
- Le bras de lecture est soulevé par le levier.
- Le casque d'écoute est branché.

Déclarations relatives à la FCC

Cet appareil est conforme à la partie 15 des règles de la FCC. Son fonctionnement est assujéti aux deux conditions suivantes :

- (1) Cet appareil ne peut causer des interférences nuisibles et
- (2) cet appareil doit accepter toute interférence reçue, y compris celles susceptibles de causer un fonctionnement indésirable.

Remarque : Ce matériel a été testé et jugé en conformité avec les limites pour un appareil numérique de Classe B, conformément à la partie 15 des règles de la FCC. Ces limites ont été établies pour offrir une protection raisonnable contre l'interférence nuisible dans une installation résidentielle. Cet appareil produit, utilise et peut émettre de l'énergie de fréquence radio et, s'il n'est pas installé et utilisé conformément aux instructions, il peut provoquer de l'interférence nuisible aux communications radio. Toutefois, il n'existe aucune garantie qu'il n'y aura pas d'interférence dans une installation particulière. Si ce matériel cause de l'interférence nuisible à la réception radio ou de télévision, qui peut être déterminée en allumant et en éteignant le matériel, il est conseillé à l'utilisateur de tenter de remédier à l'interférence par l'un ou plusieurs des moyens suivants :

- Réorienter ou déplacer l'antenne de réception.
- Augmenter la distance entre le matériel et le récepteur.
- Brancher le matériel à une prise sur un circuit différent de celui du récepteur.
- Consulter le détaillant ou un technicien de radios ou de téléviseurs qualifié pour obtenir de l'aide.

Remarque : Le concessionnaire n'est pas responsable des modifications qui ne sont pas expressément approuvées par la partie responsable de la conformité. De telles modifications pourraient annuler l'autorité de l'utilisateur à utiliser l'équipement. L'appareil a été évalué pour respecter les exigences générales en matière d'exposition aux RF.

Pour assurer la conformité aux directives de la FCC en matière d'exposition aux radiofréquences, la distance doit être d'au moins 20 cm entre le radiateur et votre corps et être entièrement soutenue par les configurations de fonctionnement et d'installation de l'émetteur et de ses antennes.

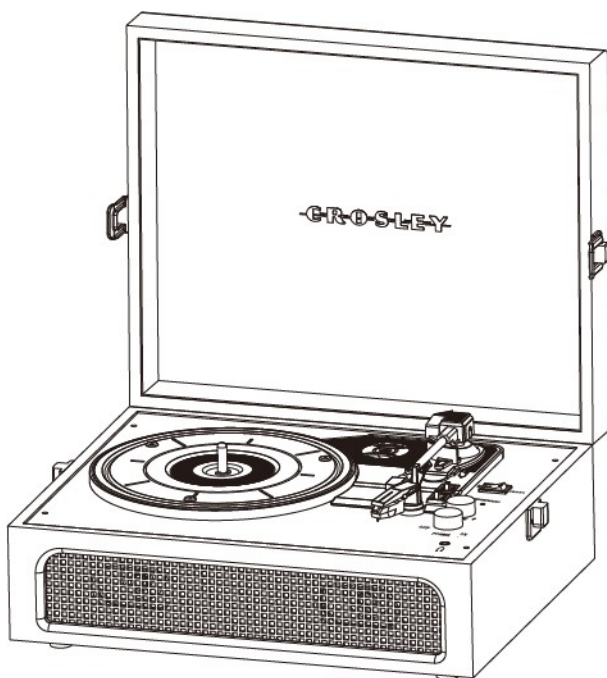
DÉCLARATION DE CONFORMITÉ DE L'EU SIMPLIFIÉE

Par la présente, Modern Marketing Concepts Inc. dba Crosley Brands déclare que le type d'équipement radio est conforme à la directive 2014/53/UE. Le texte intégral de la déclaration de conformité de l'UE est accessible à l'adresse Internet suivante.
<http://crosleybrands.com/euDoC>



CROSLEY®

CR8017B Voyager Schallplattenspieler Handbuch



Fragen, Probleme oder fehlende Teile?
Kontaktieren Sie uns über unsere Webseite
www.crosleyradio.eu, service@crosleyradio.eu
oder 31 (0) 306622470. Crosley-Produkte
werden in Europa vertrieben von: SF
Distributions BV.
Molensteijn 1-2
3454PT De Meern
Die Niederlande
www.swordfishhandfriend.com

Sicherheitshinweise

Lesen und verstehen Sie dieses Handbuch vollständig, bevor Sie das Produkt verwenden. Bewahren Sie dieses Handbuch zum späteren Nachschlagen auf.

1. Verwenden Sie dieses Produkt nicht in der Nähe von Wasser.
2. Dieses Produkt darf nur mit derjenigen Art von Stromquelle betrieben werden, die auf dem Kennzeichnungsetikett oder in diesem Betriebshandbuch angegeben ist.
3. Die Schutzfunktion des Schutzkontaktnetzsteckers darf nicht unwirksam gemacht werden. Ein Schutzkontaktnetzstecker weist zwei Stifte auf, wobei die eine breiter als die andere ist. Dieser Stecker passt nur in einer Richtung in die Steckdose. Wenn Sie den Stecker nicht vollständig in die Steckdose stecken können, versuchen Sie, den Stecker umzudrehen. Sollte der Stecker trotzdem nicht passen, wenden Sie sich an Ihren Elektriker.
4. Achten Sie darauf, das Netzkabel nicht einzuklemmen oder darauf zu treten, insbesondere an Steckern, Steckdosen und an der Stelle, an der es aus dem Gerät austritt.
5. Führen Sie keine Überlast an Wandsteckdosen, Verlängerungskabeln oder integrierten Steckdosen herbei, da dies zu Brand- oder Stromschlaggefahr führen kann.
6. Stecken Sie niemals Gegenstände jeglicher Art durch Öffnungen in dieses Produkt, da diese gefährliche Spannungspunkte berühren oder Teile kurzschließen können, was zu einem Brand oder Stromschlag führen kann. Verschütten Sie niemals Flüssigkeiten jeglicher Art auf das Produkt.
7. Versuchen Sie nicht, dieses Produkt selbst zu warten, da Sie sich beim Öffnen oder Entfernen von Abdeckungen gefährlichen Spannungen oder anderen Gefahren aussetzen können. Überlassen Sie sämtliche Wartungsarbeiten qualifiziertem Servicepersonal.
8. Änderungen oder Modifikationen an diesem Gerät, die nicht ausdrücklich von der für die Einhaltung der Vorschriften verantwortlichen Partei genehmigt wurden, können dazu führen, dass die Berechtigung des Nutzers zum Betrieb des Geräts erlischt.
9. Verwenden Sie keine Anbaugeräte, die nicht vom Produkthersteller empfohlen werden, da sie Gefahren verursachen können.
10. Eine Kombination aus Produkt und Wagen sollte mit Vorsicht bewegt werden. Schnelles Anhalten, übermäßige Kraftaufwendung und unebene Oberflächen können dazu führen, dass die Kombination aus Produkt und Wagen umkippt.
11. Schlitze und Öffnungen im Gehäuse dienen der Belüftung und gewährleisten einen zuverlässigen Betrieb des Produkts. Sie schützen es vor Überhitzung. Diese Öffnungen dürfen nicht blockiert oder abgedeckt werden.
12. Ziehen Sie den Netzstecker bei Gewitter oder wenn Sie das Gerät längere Zeit nicht benutzen.

Gegenstände in diesem Paket

Bevor Sie das Verpackungsmaterial wegwerfen, überprüfen Sie bitte gründlich, ob Sie die folgenden Gegenstände finden, die diesem Paket beiliegen:

- Schallplattenspieler
- 45 U/min-Adapter
- 3,5 mm Aux-In Kabel
- Netzadapter

Wenden Sie sich bitte an den Crosley-Kundendienst, wenn ein Zubehörteil in der Verpackung fehlt. **Bewahren Sie das Originalverpackungsmaterial für Umtausch- oder Rückgabezwecke auf.**

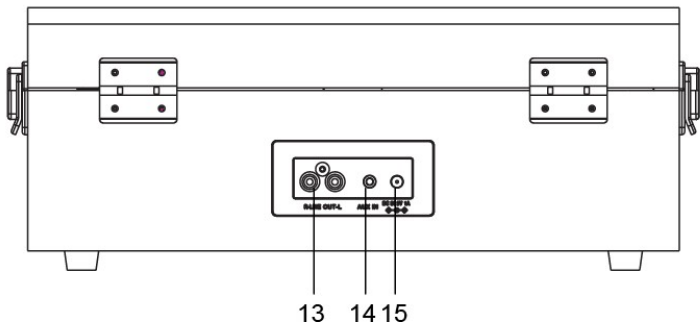
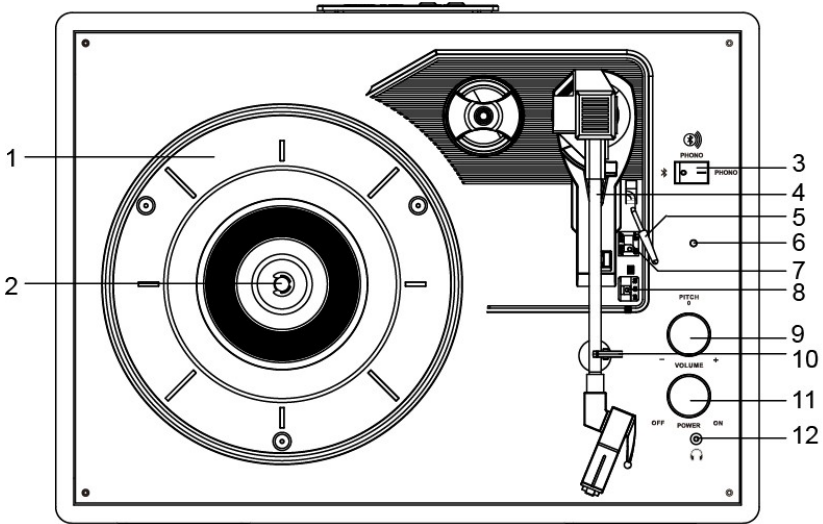
Spezifikationen

Leistung	DC-Netzadapter, DC-Ausgang 5V 1A
Leistungsaufnahme	9W
Lautsprecher	4Ω, 3W X 2
Schallplattenspieler Geschwindigkeit	
33 1/3, 45, 78 RPM Ersatznadel	Crosley
NP6	

Hinweis:

- *Design und Spezifikationen können ohne vorherige Ankündigung geändert werden.*
- **Um den Stromverbrauch zu senken, entsprechen einige Modelle dem ERP-Energiesparstandard. Wenn 20 Minuten lang kein Audiosignal anliegt, schaltet sich das Gerät ab. Um die Stromversorgung wieder einzuschalten und die Wiedergabe fortzusetzen, müssen Sie das Gerät aus- und wieder einschalten.**

Produktbeschreibung



- | | |
|--|---|
| <ul style="list-style-type: none"> 1. Schallplatten-Plattenteller 2. Schallplattenspindel 3. Funktionsschalter 4. Tonarm 5. Tonarmhebel 6. Funktionsanzeige 7. Auto-Stopp-Schalter 8. Geschwindigkeitswähler 9. Pitch-Steuerung | <ul style="list-style-type: none"> 10. Niederhalteclip 11. On/Off-Lautstärkeregler 12. Kopfhöreranschluss 13. Cinchbuchsen 14. AUX-IN-Buchse 15. Netzbuchse 16. 45 U/min-Adapter |
|--|---|

Erstmalige Einrichtung

Wesentliche Einrichtung

1. Stellen Sie das Gerät auf eine ebene, stabile Arbeitsfläche. Der gewählte Standort sollte stabil und frei von Vibrationen sein.
2. Entfernen Sie die Kabelbinder, die den Tonarm halten.
3. Schließen Sie den DC-Netzadapter an die **Netzbuchse** des Geräts an.

Hinweis: Stecken Sie den Netzadapter nicht in die Steckdose, bevor die gesamte Montage abgeschlossen ist. Vergewissern Sie sich vor dem Einschalten noch einmal, dass alle Anschlusseinstellungen korrekt sind. Schalten Sie stets die Stromversorgung aus, wenn Sie das Gerät anschließen oder abtrennen.

Anschluss der Stereoanlage

Cinchbuchsen

- Die Cinchbuchsen geben analoge Line-Pegel-Signale aus und können direkt mit einem Paar Aktiv-Lautsprechern oder dem entsprechenden Eingang Ihrer Stereoanlage verbunden werden.
- Der rote Stecker wird mit dem rechten Kanal und der weiße Stecker mit dem linken Kanal verbunden.

Hinweis: Die Cinchbuchsen sind nicht für den direkten Anschluss an passive/nicht gespeiste Lautsprecher vorgesehen. Bei Anschluss an passive Lautsprecher ist der Lautstärkepegel sehr niedrig.

Aux-Eingangsanschluss

Sie können ein Audiogerät an dieses Gerät anschließen und Ihre Musik über dessen Lautsprecher wiedergeben. Schließen Sie dazu das 3,5-mm-Aux-Kabel zwischen Ihrem Audiogerät und **der Aux-Eingangsbuchse** dieses Geräts an und starten Sie die Musikwiedergabe.

Hinweis:

Der Aux-In-Anschluss setzt die Schallplattenspieler- und Bluetooth-Funktion automatisch außer Kraft. Um die Schallplattenspieler- oder Bluetoothfunktion wieder zu nutzen, ziehen Sie das Aux-Kabel aus der Aux-In-Buchse heraus.

Die Funktionsanzeige leuchtet lila.

Schallplattenbetrieb

1. Drehen Sie den **Ein/Aus-Lautstärkeregler**, um das Gerät einzuschalten.
2. Stellen Sie den **Funktionsregler** auf die Position PHONO.
Hinweis: Die Funktionsanzeige leuchtet rot.
3. Stellen Sie den **Geschwindigkeitswähler** entsprechend ein.
4. Legen Sie die Schallplatte auf den Plattenteller. Verwenden Sie bei Bedarf den **45 U/min-Adapter**.
5. Entfernen Sie den Schutz von der Abtastnadel.
Hinweis: Um Schäden an der Abtastnadel zu vermeiden, stellen Sie sicher, dass der mitgelieferte Abtastnadelschutz angebracht ist, wenn der Schallplattenspieler bewegt oder gereinigt wird.
6. Lösen Sie den **Tonarm-Niederhalteclip**.
Hinweis: Wird der Schallplattenspieler nicht benutzt, denken Sie daran, den Niederhalteclip wieder zu verschließen.
7. Verwenden Sie den **Tonarmhebel**, um den Tonarm anzuheben.
8. Bewegen Sie den Tonarm vorsichtig über die Schallplatte zu der Stelle hin, an der die Wiedergabe beginnen soll. Stellen Sie den **Tonarmhebel** wieder in die untere Position, der Tonarm senkt sich langsam auf die Schallplatte und die Wiedergabe beginnt.
9. Ist die Wiedergabe der Schallplatte beendet, heben Sie den **Tonarm** mit dem Tonarmlifthebel erneut an und setzen ihn dann wieder in die Tonarmauflage ein. Lassen Sie den Hebel los, sodass der Tonarm wieder zurück zur Auflageposition kehrt. Um die Wiedergabe zu unterbrechen, wiederholen Sie die gleichen Schritte.
10. Verriegeln Sie die **Tonarmclip**, um den Tonarm zu sichern.

Plattenteller Auto-Stopp

Ist der **Auto-Stopp-Schalter** auf die Position ON eingestellt, hört der Plattenteller automatisch auf, sich zu drehen, wenn die Schallplatte zu Ende gespielt wurde. In seltenen Fällen, wenn der Schallplattenspieler vor dem Ende der Schallplatte aufhört zu spielen, stellen Sie den Schalter auf die Position OFF, der Schallplattenspieler sollte mit diesem Problem zurechtkommen.

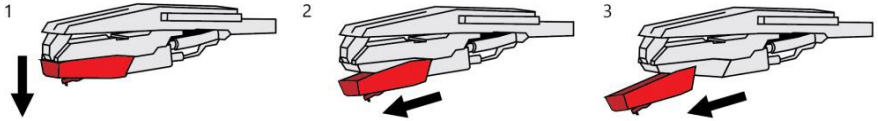
Pitch-Steuerung

Die Schallplattengeschwindigkeit kann durch Drehen des Pitch-Reglers um ca. 10 % erhöht oder verringert werden. Um die Geschwindigkeit zu erhöhen, drehen Sie den Pitch-Regler im Uhrzeigersinn. Um die Geschwindigkeit zu verringern, drehen Sie den Drehknopf gegen den Uhrzeigersinn.

Austausch von Nadeln

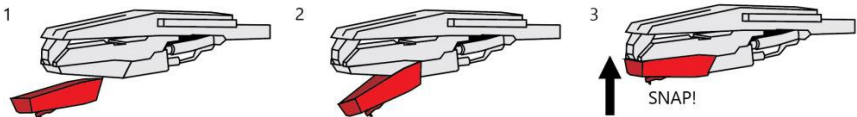
Entfernen der Nadel

1. Ziehen Sie die Vorderkante der Nadel vorsichtig nach unten.
2. Nadel nach vorne ziehen.
3. Herausziehen und entfernen.




Nadel einsetzen

1. Positionieren Sie die Nadel mit der Spitze nach unten.
2. Richten Sie die Rückseite der Nadel am Tonabnehmer aus.
3. Setzen Sie die Nadel mit dem vorderen Ende schräg nach unten ein und heben Sie das vordere Ende der Nadel vorsichtig nach oben, bis sie einrastet.



Bluetooth-Betrieb

1. Stellen Sie **den Funktionsregler** auf die Bluetooth-Modus .
Hinweis: Die Funktionsanzeige blinkt blau.
2. Schalten Sie die Bluetooth-Funktion Ihres Audiogeräts ein, suchen Sie nach „CROSLEY CR8017“ und koppeln Sie es.
3. Sobald Ihr Gerät erfolgreich mit dem Gerät gekoppelt ist, hören Sie einen kurzen Bestätigungston vom Gerät und die Funktionsanzeige leuchtet blau auf.
4. Streamen Sie Musik von Ihrem Gerät zum anderen Gerät und genießen Sie die Wiedergabe.

Hinweis: Bluetooth-Version – 5.1

Betrieb des Bluetooth-Ausgangs

Dieser Plattenspieler verfügt über einen Bluetooth-Ausgang, der den Ton von diesem Plattenspieler an ein anderes Bluetooth-Gerät, wie z. B. drahtlose Bluetooth-Kopfhörer, Bluetooth-Lautsprecher oder andere Bluetooth-Empfangsgeräte, überträgt.

1. Stellen Sie das Audiogerät, das die Bluetooth-Technologie unterstützt, so nah wie möglich an Ihren Plattenspieler.
2. Stellen Sie den Funktionsschalter des Plattenspielers auf die mittlere Position für die Bluetooth-Ausgabe.
Hinweis: Die Funktionsanzeige wird langsam blau aufblinken.
3. Versetzen Sie das Gerät, das Sie verbinden möchten, in den Kopplungsmodus.
4. Ihr Plattenspieler verbindet sich automatisch mit Ihrem Audiogerät, sobald sich beide im Kopplungsmodus befinden.
5. Wurde die Kopplung abgeschlossen, leuchtet die Funktionsanzeige dauerhaft blau.

Hinweis: War die Kopplung nicht erfolgreich, stellen Sie sicher, dass Ihr Audiogerät nicht mit einem anderen Bluetooth-Gerät gekoppelt/verbunden ist.

Wartung Plattenteller

1. Berühren Sie die Spitze der Abtastnadel nicht mit Ihren Fingern. Vermeiden Sie es, mit der Abtastnadel an der Plattentellermatte oder an der Kante einer Schallplatte anzustoßen.
2. Reinigen Sie die Abtastnadel häufig mit einer weichen Bürste, indem Sie sie nur von hinten nach vorne bewegen.
3. Reinigen Sie die Schallplatten mit einer Schallplattenreinigungsbürste und Schallplattenreinigungslösung, um sie von Staub oder Fett zu befreien.
4. Reinigen Sie den Plattenspielerdeckel und das Plattenspielergehäuse mit einem leicht angefeuchteten Mikrofasertuch.

Hinweis: Verwenden Sie keine Reinigungsmittel, die Alkohol, Benzol oder andere scharfe Chemikalien enthalten, die den Lack und die Oberfläche des Schallplattenspielers beschädigen könnten.

**** Crosley bietet eine Produktlinie mit unterschiedlichem Reinigungszubehör an. Bitte fragen Sie Ihren Fachhändler oder besuchen Sie unsere Webseite www.crosleyradio.com für weitere Informationen zu Reinigungsprodukten.**

Problembehandlung

Kein Strom

- Der Netzadapter ist nicht richtig angeschlossen.
- Keine Leistung an der Steckdose.
- Um den Stromverbrauch zu senken, entsprechen einige Modelle dem ERP-Energiesparstandard. Wenn 20 Minuten lang kein Audiosignal anliegt, schaltet sich das Gerät ab. Um die Stromversorgung wieder einzuschalten und die Wiedergabe fortzusetzen, schalten Sie das Gerät aus und wieder ein.

Der Strom ist eingeschaltet, aber der Plattenteller dreht sich nicht

- Der Antriebsriemen des Schallplattenspielers ist abgerutscht.
- Ein Aux-In-Kabel ist in die Aux-In-Buchse eingesteckt, ziehen Sie es ab.

Der Plattenspieler dreht sich, aber es gibt keinen Ton, oder der Ton ist nicht laut genug

- Der Abtastnadelschutz ist noch angebracht.
- Der Tonarm wird mit dem Hebel angehoben.
- Die Kopfhörer sind eingesteckt.

FCC-Erklärung

Dieses Gerät erfüllt Teil 15 der FCC-Bestimmungen. Der Betrieb unterliegt den folgenden zwei Bedingungen:

- (1) Das Gerät darf keine schädlichen Störungen hervorrufen und
- (2) Das Gerät muss unanfällig gegenüber beliebigen empfangenen Störungen sein, einschließlich solcher Störungen, die einen unerwünschten Betrieb verursachen.

Hinweis: Dieses Gerät wurde getestet und entspricht den Grenzwerten für ein digitales Gerät der Klasse B gemäß Teil 15 der FCC-Vorschriften. Die genannten Anforderungen sollen einen angemessenen Schutz gegen gesundheitsgefährdende Strahlungen in Wohngebieten sicherstellen. Dieses Gerät erzeugt, verwendet und kann Hochfrequenzenergie abstrahlen und kann, wenn es nicht gemäß den Anweisungen installiert und verwendet wird, Störungen der Funkkommunikation verursachen. Es gibt jedoch keine Garantie, dass bei einer bestimmten Installation keine Störungen auftreten. Wenn dieses Gerät den Radio- oder Fernsehempfang stört, was durch Aus- und Einschalten des Geräts festgestellt werden kann, sollte der Benutzer versuchen, die Störung durch eine oder mehrere der folgenden Maßnahmen zu beheben:

- Richten Sie die Empfangsantenne neu aus oder verlegen Sie deren Standort.
- Vergrößern Sie den Abstand zwischen Gerät und Empfänger.
- Schließen Sie das Gerät an eine Steckdose in einem anderen Stromkreis als dem, an den der Empfänger angeschlossen ist.
- Wenden Sie sich an den Händler oder einen qualifizierten Radio-/Fernsehtechniker.

Hinweis: Der Lizenzgeber ist nicht verantwortlich für Änderungen oder Modifikationen, die nicht ausdrücklich von der für die Einhaltung der Vorschriften verantwortlichen Stelle genehmigt wurden. Solche Änderungen können dazu führen, dass der Benutzer die Berechtigung zum Betrieb des Geräts verliert.

Das Gerät wurde so bewertet, dass es die allgemeinen Anforderungen an die HF-Belastung erfüllt.

Um die FCC-Richtlinien zur HF-Belastung einzuhalten, muss der Abstand zwischen dem ausstrahlendem Gerät und Ihrem Körper mindestens 20 cm betragen und durch die Betriebs- und Installationskonfigurationen des Senders und seiner Antenne(n) vollständig unterstützt werden.

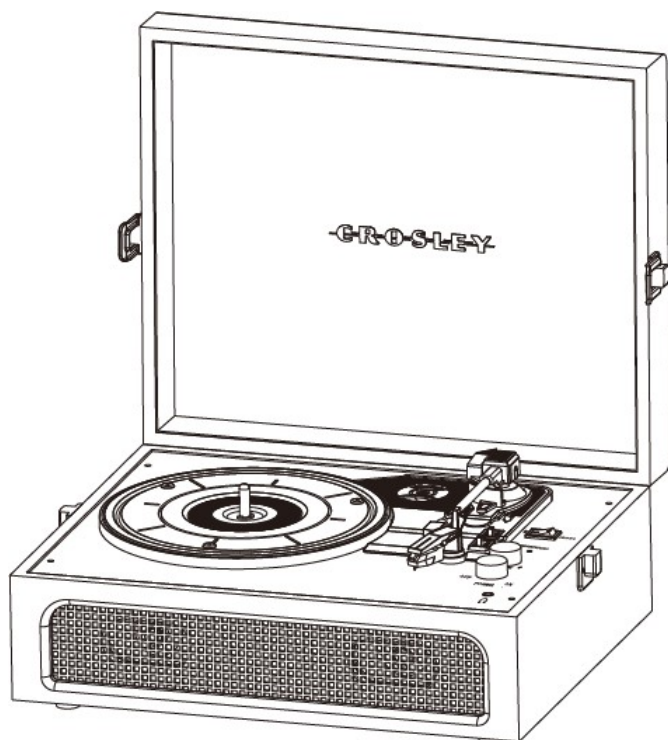
VEREINFACHTE EU-KONFORMITÄTSERKLÄRUNG

Hiermit erklärt Modern Marketing Concepts Inc. dba Crosley Brands, dass die Funkanlage mit der Richtlinie 2014/53/EU konform ist. Der vollständige Text der EU-Konformitätserklärung ist unter der folgenden Internetadresse verfügbar: <http://crosleybrands.com/euDoC>



CROSLEY®

CR8017B Manuale d'istruzioni Giradischi Voyager



Domande, problemi, componenti mancanti?

Contattaci sul nostro sito www.crosleyradio.eu, invia una email all'indirizzo service@crosleyradio.eu oppure chiama allo 31 (0) 306622470. I prodotti Crosley sono distribuiti in Europa dalla: SF Distributions BV.

Molensteijn 1-2 3454PT De Meern, Paesi Bassi

www.swordfishandfriend.com

Istruzioni di sicurezza

Leggi e comprendi l'intero manuale prima di utilizzare il prodotto. Conserva queste istruzioni per consultarle in futuro.

1. Non utilizzare questo prodotto vicino all'acqua.
2. Questo prodotto dovrebbe essere alimentato solo dal tipo di fonte di alimentazione indicata sull'etichetta di marcatura o in questo manuale di istruzioni.
3. Non vanificare lo scopo di sicurezza della spina polarizzata. Una spina polarizzata ha due lame, una più larga dell'altra. Questa spina si inserisce nella presa di corrente in un unico modo. Se non è possibile inserire completamente la spina nella presa, provare a invertire la spina. Se la spina non dovesse ancora inserirsi, contatta il tuo elettricista.
4. Proteggi il cavo di alimentazione dall'essere calpestato o schiacciato in particolare in corrispondenza delle spine, delle prese e del punto in cui esce dal prodotto.
5. Non sovraccaricare le prese a muro, le prolunghe o le prese integrali, poiché ciò può comportare un rischio di incendio o di scosse elettriche.
6. Non spingere mai oggetti di qualsiasi tipo all'interno di questo prodotto attraverso le aperture perché potrebbero toccare punti di tensione pericolosi o mandare in cortocircuito parti provocando un incendio o scosse elettriche. Non versare mai liquidi di nessun tipo sul prodotto.
7. Non tentare di riparare questo prodotto da solo poiché l'apertura o la rimozione dei coperchi può esporre a tensioni pericolose o a altri rischi. Rivolgiti al personale qualificato per la manutenzione.
8. Cambiamenti o modifiche a questa unità non espressamente approvati dalla parte responsabile della conformità potrebbero annullare la capacità dell'utente di utilizzare il dispositivo.
9. Non utilizzare accessori non raccomandati dal produttore del prodotto in quanto possono provocare pericoli.
10. Prodotto e carrello dovrebbero essere spostati insieme con cura. Arresti rapidi, una forza eccessiva e superfici irregolari possono far cadere il prodotto dal proprio carrello.
11. Le fessure e le aperture nell'armadio sono fornite per la ventilazione e per assicurare un funzionamento affidabile del prodotto, nonché per proteggerlo dal surriscaldamento. Non ostruire o coprire queste aperture.
12. Scollegare il prodotto durante i temporali o quando non viene utilizzato per lunghi periodi di tempo.

Articoli presenti nella confezione

Prima di buttare via qualsiasi materiale d'imballaggio, controlla bene e verifica di aver trovato i seguenti componenti nella confezione:

- Giradischi
- Adattatore 45 RPM
- Cavo Aux In da 3,5 mm
- Alimentatore di Corrente

Qualora vi siano accessori mancanti nella confezione invitiamo a contattare l'Assistenza Clienti Crosley. **Conserva i materiali di imballaggio originali per lo scambio o la restituzione.**

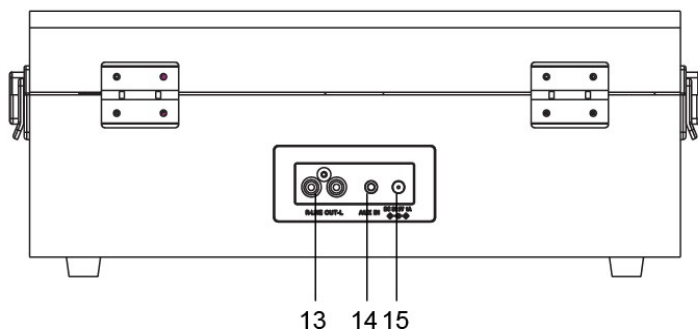
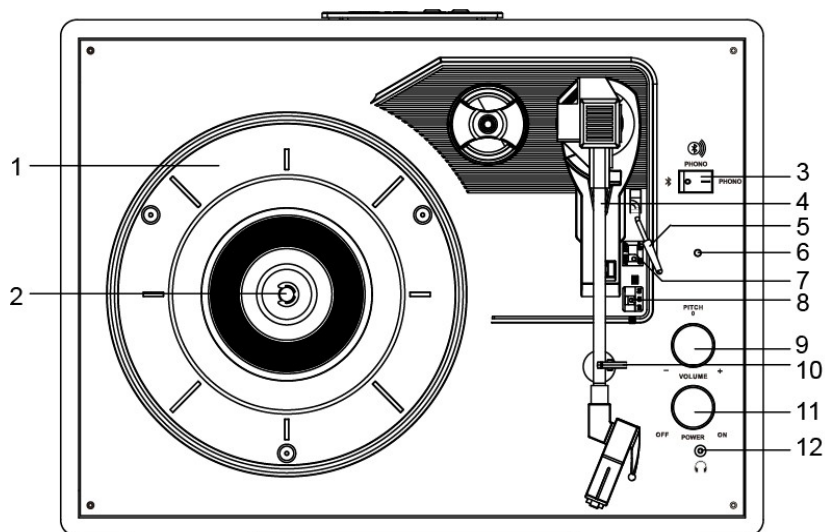
Specifiche tecniche

Alimentazione	Adattatore di alimentazione DC, uscita DC 5V 1A
Consumo di corrente	9W
Altoparlante	4Ω, 3W x 2
Velocità del giradischi	33 ^{1/3} , 45, 78 RPM
Puntina sostitutiva	Crosley NP6

Nota:

- *Il design e le specifiche sono soggetti a cambiamenti senza preavviso.*
- **Per contribuire al risparmio energetico, alcuni modelli sono conformi allo standard di risparmio energetico ERP. Qualora non vi sia ingresso audio per 20 minuti, l'alimentazione del dispositivo verrà disattivata. Per riattivare il dispositivo e riprendere la riproduzione sarà necessario spegnere l'interruttore e riaccenderlo.**

Descrizione del Prodotto



- | | |
|---------------------------------------|--------------------------------|
| 1. Piatto del giradischi | 9. Controllo del beccheggio |
| 2. Perno del giradischi | 10. Clip di tenuta del braccio |
| 3. Selettore di funzione | 11. Manopola del volume On/Off |
| 4. Braccio | 12. Cavo per le cuffie |
| 5. Levetta alzabraccio | 13. Cavi RCA |
| 6. Indicatore di Funzione | 14. Cavo Aux In |
| 7. Interruttore di arresto automatico | 15. Cavo di alimentazione |
| 8. Interruttore di velocità | 16. Adattatore 45 GIRI/MIN |

Impostazione iniziale

Impostazione essenziale

1. Posiziona l'unità su una superficie piana e livellata. La posizione scelta dovrebbe essere stabile e priva di vibrazioni.
2. Rimuovi la fascetta presente sul braccio.
3. Collega l'adattatore DC al **cavo di alimentazione** del dispositivo.

Nota: Non collegare l'adattatore di alimentazione DC alla presa di corrente prima di aver completato il montaggio. Prima di accendere, verifica ancora che tutte le impostazioni di connessione siano corrette. Spegni sempre l'alimentazione quando colleghi o scolleghi.

Collegamento dell'impianto stereo

Cavi RCA

- I cavi RCA emettono dei segnali di linea analogici e potrebbero essere collegati direttamente a una coppia di altoparlanti attivi o all'ingresso adeguato del proprio impianto audio.
- La spina rossa si collega al canale destro, quella bianca al sinistro.

Nota: I cavi RCA non sono stati progettati per essere collegati direttamente agli altoparlanti passivi/non alimentati. Se il dispositivo è collegato ad altoparlanti passivi, il livello di volume sarà molto basso.

Collegamento Ingresso AUX

Sarà possibile collegare un dispositivo audio a questa unità e riprodurre la musica attraverso i suoi altoparlanti. Per eseguire questa operazione, collegare il cavo ausiliario da 3,5 mm dal dispositivo audio al **cavo Aux In** del dispositivo e avviare la riproduzione.

Nota:

La connessione aux in prevarrà in automatico sulle funzioni del giradischi e del Bluetooth. Per riprendere a utilizzare le funzioni giradischi o Bluetooth scollega il cavo ausiliario dalla presa aux in.

L'indicatore di funzione diventerà viola.

Funzionamento del giradischi

1. Ruota la **Manopola del volume On/Off** per accendere il dispositivo.
2. Ruota la **Manopola Accensione-Spegnimento / Volume** per accendere il dispositivo.
Nota: L'indicatore di funzione diventerà rosso
3. Imposta l'**interruttore di velocità** di conseguenza.
4. Metti il disco sul giradischi. Usa l'**Adattatore 45 GIRI/MIN**, se necessario.
5. Rimuovi la protezione della puntina dal gruppo della puntina.
Nota: Per evitare di danneggiare la puntina, assicurati che la protezione inclusa della puntina sia in posizione ogni volta che il giradischi viene spostato o pulito.
6. Rilascia la **clip di bloccaggio** del braccio.
Nota: Quando il giradischi non è in uso, ricordati di bloccare la clip di bloccaggio.
7. Usa la levetta alzabraccio per sollevare il braccio.
8. Sposta in modo delicato il braccio sul disco nel punto in cui desideri avviare la riproduzione. Regola la **Levetta alzabraccio** fino a riportarla alla posizione abbassata; il braccio scenderà lentamente sul disco e avvierà la riproduzione.
9. Al termine della riproduzione del disco, utilizza nuovamente la **Levetta alzabraccio** per alzare il braccio e poi riportarlo nella Posizione di Riposo. Rilascia la levetta in modo che il braccio si posizioni sul suo appoggio. Per sospendere la riproduzione, ripeti gli stessi step.
10. Blocca la **Clip di Bloccaggio del Braccio** per fissarlo saldamente.

Arresto automatico del piatto

Se l'**Interruttore di arresto automatico** è impostato su ON, il piatto smetterà di girare in automatico quando il disco è stato riprodotto fino alla fine. In rare occasioni, se il giradischi smette di suonare prima della fine del disco, imposta l'interruttore sulla posizione OFF, e il giradischi dovrebbe superare in autonomia il problema.

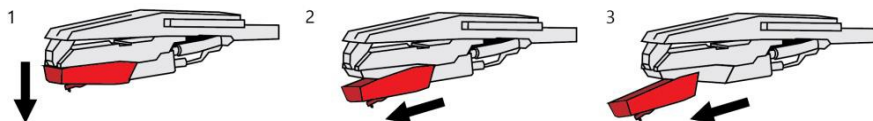
Controllo del beccheggio

Sarà possibile aumentare o ridurre la velocità del giradischi indicativamente del 10% ruotando la Manopola di Controllo del Beccheggio. Per aumentare la velocità, ruotare la Manopola di Controllo del Beccheggio in senso orario. Per ridurre la velocità, ruotare la Manopola di Controllo del Beccheggio in senso anti-orario.

Sostituzione della puntina

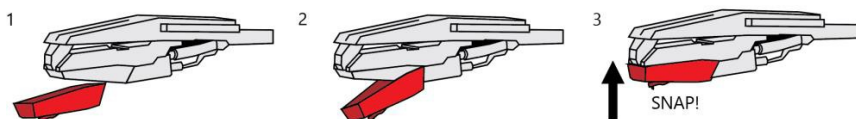
Rimozione della puntina

1. Tira delicatamente verso il basso la parte anteriore della puntina.
2. Tira la puntina in avanti.
3. Estrarre e rimuovere.




Installazione della puntina

1. Posizionare la puntina con la punta rivolta verso il basso.
2. Allineare la parte posteriore della puntina con la cartuccia.
3. Inserire la puntina con la sua estremità anteriore inclinata verso il basso e sollevare delicatamente la parte anteriore della puntina verso l'alto fino a che non scatta in posizione.



Funzionamento Bluetooth

1. Ruota il **Selettore di Funzione** sulla modalità Bluetooth. 

Nota: L'indicatore di funzione lampeggerà di blu.
2. Attiva la funzionalità Bluetooth del dispositivo audio, cerca "Crosley CR8017" ed esegui l'abbinamento.
3. Dopo aver abbinato correttamente il dispositivo al dispositivo, sentirai un breve segnale acustico di conferma emesso dal dispositivo stesso e l'Indicatore di Funzione si colorerà di blu.
4. Riproduci e trasmetti musica in streaming dal tuo apparecchio al dispositivo.

Nota: Versione Bluetooth – 5.1

Funzionamento dell'uscita Bluetooth

Questo giradischi è dotato di uscita Bluetooth, un meccanismo che consente la trasmissione dell'audio da questo giradischi a un altro dispositivo Bluetooth come, per esempio, cuffie Bluetooth wireless, altoparlanti Bluetooth o altri dispositivi di ricezione Bluetooth.

1. Posiziona il dispositivo audio che supporta la tecnologia Bluetooth il più vicino possibile al giradischi.
2. Imposta l'Interruttore di Funzione del giradischi nella posizione centrale per l'uscita Bluetooth.
Nota: L'indicatore di funzione lampeggerà lentamente di blu.
3. Imposta il dispositivo che si desidera connettere in modalità di abbinamento.
4. Il giradischi si abbinerà in automatico al dispositivo audio quando entrambi saranno in modalità di abbinamento.
5. Al termine dell'abbinamento, l'Indicatore di Funzione diventerà di colore blu fisso.

Nota: Se l'abbinamento non riesce, verificare che il dispositivo audio non sia già abbinato/connesso ad altro dispositivo Bluetooth.

Manutenzione del giradischi

1. Non toccare la punta della puntina con le dita. Evita di far urtare la puntina sul tappetino del giradischi o sul bordo di un disco.
2. Pulisci frequentemente la puntina con una spazzola morbida esclusivamente con movimenti da dietro verso avanti.
3. Pulisci i dischi per eliminare la polvere o il grasso con una spazzola e una soluzione per la pulizia dei dischi.
4. Pulisci il coperchio e il mobile del giradischi con un panno in microfibra leggermente inumidito.

Nota: Non usare detersivi che contengano alcool, benzene o altre sostanze chimiche aggressive, che potrebbero danneggiare la vernice e la finitura del giradischi.

***Crosley offre una linea di prodotti con diversi accessori per la pulizia. Rivolgiti al tuo rivenditore di fiducia o visita il nostro sito www.crosleyradio.eu per ulteriori informazioni sui prodotti per la pulizia.**

Risoluzione dei problemi

Non c'è alimentazione

- L'adattatore di alimentazione non è collegato correttamente.
- Non c'è corrente alla presa di corrente.
- Per contribuire al risparmio energetico, alcuni modelli sono conformi allo standard di risparmio energetico ERP. Qualora non vi sia ingresso audio per 20 minuti, l'alimentazione del dispositivo verrà disattivata. Per riattivare il dispositivo e riprendere la riproduzione, spegnere l'interruttore e riaccenderlo.

L'alimentazione funziona, ma il piatto non si accende

- La cinghia di trasmissione del giradischi è scivolata fino a togliersi.
- Un cavo Aux In è inserito nella presa Aux In, scollegalo.

Il giradischi gira, ma non c'è suono, o il suono non è abbastanza forte

- La protezione della puntina è ancora al proprio posto.
- Il braccio è sollevato dalla levetta.
- Le cuffie sono collegate.

Dichiarazioni FCC

Questo dispositivo è conforme alla Sezione 15 delle norme FCC. Il funzionamento è soggetto alle seguenti due condizioni:

- (1) Questo dispositivo non può provocare interferenze dannose; e
- (2) Questo dispositivo deve accettare qualsiasi interferenza nociva, comprese quelle che possono causare funzionamenti indesiderati.

Nota: Questa apparecchiatura è stata testata e trovata conforme ai limiti per un dispositivo digitale di Classe B, secondo la parte 15 delle norme FCC. Questi limiti sono progettati per fornire una protezione ragionevole contro le interferenze dannose in un'installazione di tipo residenziale. Il dispositivo genera, usa e può emanare energia per frequenze radio e, se non viene installato correttamente e utilizzato in conformità alle istruzioni, potrebbe provocare interferenze dannose alle comunicazioni radio. Tuttavia, non c'è alcuna garanzia che l'interferenza non si verifichi in una particolare installazione. Se questo dispositivo causa interferenze dannose alla ricezione radiofonica o televisiva, che possono essere determinate accendendo e spegnendo l'apparecchio, l'utente è invitato a cercare di correggere l'interferenza adottando una delle seguenti misure:

- Riorientare o riposizionare l'antenna ricevente;
- Aumentare la distanza tra il dispositivo e il ricevitore;
- Collegare il dispositivo a una presa su un circuito diverso rispetto a quello a cui è collegato il ricevitore.
- Contattare il rivenditore o un tecnico radio/TV esperto per ricevere assistenza.

Nota: Il Concessionario non è responsabile per gli eventuali cambiamenti o modifiche non espressamente approvati dal soggetto responsabile della compliance. Tali modifiche potrebbero vanificare le possibilità da parte dell'utente di utilizzare il dispositivo. Il dispositivo è stato valutato per soddisfare i requisiti generali di esposizione alle RF. Per mantenere la conformità con le linee guida di esposizione a RF di FCC, la distanza tra il dispositivo emittente e il corpo deve essere di almeno 20 cm e pienamente conforme rispetto alle configurazioni di funzionamento e installazione del trasmettitore e delle sue antenne.

DICHIARAZIONE SEMPLIFICATA DI CONFORMITÀ UE

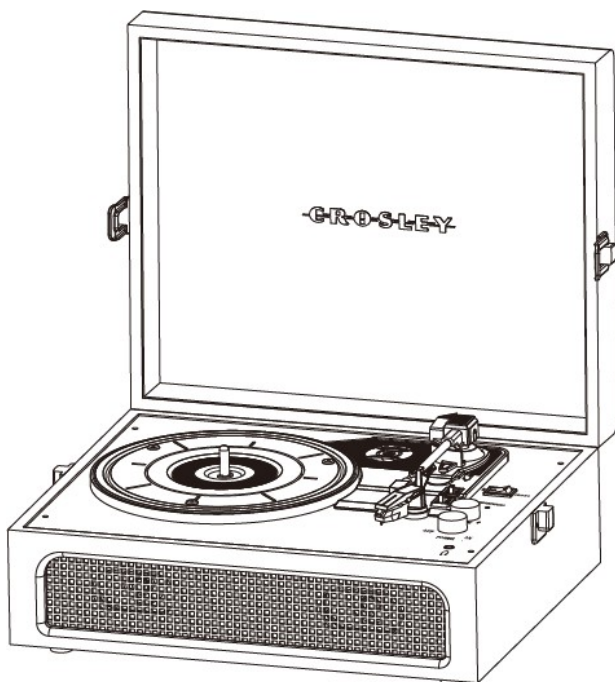
Con la presente la Modern Marketing Concepts Inc. dba Crosley Brands dichiara che questa tipologia di dispositivo è conforme alla Direttiva 2014/53/UE. Il testo integrale della dichiarazione di conformità UE è reperibile su Internet al seguente indirizzo:
<http://crosleybrands.com/euDoC>



CROSLEY®

CR8017B

Voyager draaitafel Gebruiksaanwijzing



Vragen, problemen of ontbrekende onderdelen?
Neem contact met ons op of bezoek onze website www.crosleyradio.eu,
service@crosleyradio.eu of 31 (0)306622470.

Crosley-producten worden in Europa gedistribueerd door:

SF Distributions B.V.

Molensteijn 1-2

3454 PT De Meern

Nederland

www.swordfishandfriend.com

Veiligheidsinstructies

Lees en begrijp deze volledige gebruiksaanwijzing voordat je dit product gebruikt. Bewaar deze instructies als toekomstig naslagwerk.

1. Gebruik dit product niet in de buurt van water.
2. Het product mag alleen worden gebruikt door het soort voedingsbron dat is aangegeven op het markeringslabel of in deze gebruiksaanwijzing.
3. Omzeil de veiligheidsfunctie van de gepolariseerde stekker niet. Een gepolariseerde stekker heeft twee pennen, de ene breder dan de andere. De stekker past slechts op één manier in het stopcontact. Als je de stekker niet volledig in het stopcontact kunt steken moet je proberen de stekker te draaien. Als de stekker nog steeds niet past, moet je contact opnemen met je elektricien.
4. Zorg ervoor dat er niet op het netsnoer kan worden gelopen of dat het kan worden afgekneld, met name bij de stekkers, stopcontacten en op het punt waar de snoeren uit het product komen.
5. Overlaad stopcontacten, verlengsnoeren of ingebouwde stopcontacten niet omdat dit kan leiden tot het risico op brand of elektrische schokken.
6. Duw nooit objecten in dit product via openingen omdat ze gevaarlijke spanningspunten of kortgesloten onderdelen kunnen raken, wat kan leiden tot brand of elektrische schokken. Mors nooit vloeistof op het product.
7. Probeer dit product niet zelf te onderhouden omdat het openen of verwijderen van kapjes jezelf bloot kan stellen aan gevaarlijke spanning of andere gevaren. Laat al het onderhoud uitvoeren door onderhoudspersoneel.
8. Wijzigingen of modificaties aan dit apparaat die niet uitdrukkelijk zijn goedgekeurd door de verantwoordelijke partij voor de naleving kunnen de autoriteit van de gebruiker om dit apparaat te gebruiken ongeldig maken.
9. Gebruik geen toebehoren die niet zijn aanbevolen door de productfabrikant omdat deze kunnen leiden tot gevaren.
10. De combinatie van een product en een wagentje moet voorzichtig worden voortbewogen. Snelle stops, overmatige kracht en oneffen oppervlakken kunnen ertoe leiden dat de combinatie van het product en het wagentje kan kantelen.
11. Er zijn sleuven en openingen in de kast voor ventilatie en het garanderen van betrouwbare werking van het product en dit te beschermen tegen oververhitting. Blokkeer of bedek deze ventilatieopeningen niet.
12. Haal de stekker van het apparaat uit het stopcontact tijdens onweer of als het lange tijd niet wordt gebruikt.

Items in deze verpakking

Voordat je verpakkingsmaterialen weggooit, moet je grondig controleren en garanderen dat je de volgende items hebt gevonden die in deze verpakking komen:

- Draaitafel
- 45 toeren adapter
- 3,5 mm aux in-kabel
- Voedingsadapter

Neem contact op met de klantenservice van Crosley als er een toebehoren ontbreekt uit de verpakking. **Bewaar de originele verpakkingsmaterialen voor ruilen of retourneren.**

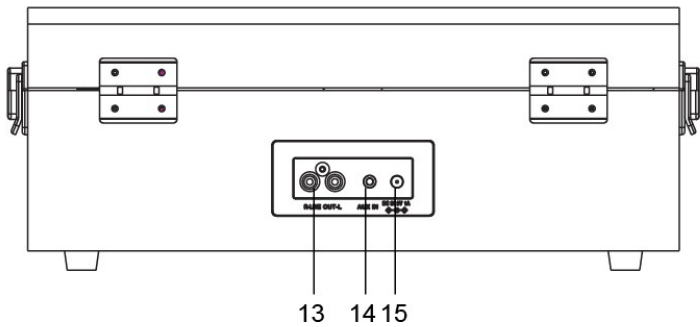
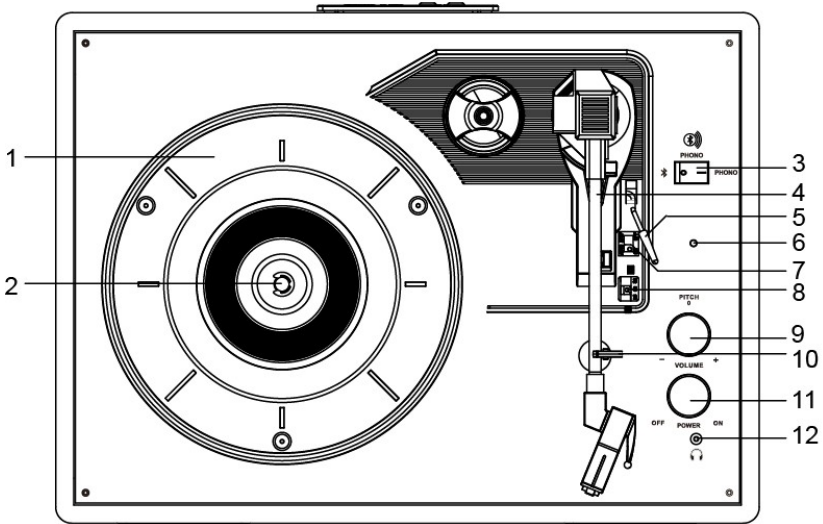
Specificaties

Voeding	DC-voedingsadapter, DC-uitgang 5V 1A
Voedingsverbruik	9W
Luidspreker	4Ω, 3W X 2
Draaitafelsnelheid	33 ¹ / ₃ , 45, 78
toeren Vervangingsnaald	Crosley NP6

Opmerking:

- *Het ontwerp en de specificaties kunnen zonder voorafgaande melding worden gewijzigd.*
- **Om te helpen met het besparen van energieverbruik voldoen sommige modellen aan de ERP-standaard voor energiebesparing. Als er langer dan 20 minuten geen audio-invoer is wordt de voeding automatisch verbroken. Om de voeding weer in te schakelen en verder te gaan met afspelen, moet je het apparaat uit- en weer inschakelen.**

Productomschrijving



- 1. Draaischijf draaitafel
- 2. Draaitafelspil
- 3. Functieschakelaar
- 4. Toonarm
- 5. Toonarmhendel
- 6. Functie-indicator
- 7. Automatische stop - schakelaar
- 8. Snelheidsschakelaar

- 9. Toonhoogteregeling
- 10. Neerhoudklem
- 11. Aan/uit - volumeknop
- 12. Aansluiting koptelefoon
- 13. RCA-aansluitingen
- 14. Aux in-aansluiting
- 15. Voedingsaansluiting
- 16. 45 toeren adapter

Eerste instelling

Essentiële instelling

1. Plaats het apparaat op een stabiel en vlak oppervlak. De geselecteerde locatie moet stabiel en vrij van trillingen zijn.
2. Verwijder het trekbandje dat de toonarm vasthoudt.
3. Sluit de DC-adapter aan op de **voedingsaansluiting** van het apparaat.

Opmerking: Steek de voedingsadapter niet in het stopcontact voordat de gehele montage voltooid is. Voordat je de voeding weer inschakelt, moet je ervoor zorgen dat alle aansluitingsinstellingen juist zijn. Schakel de voeding altijd uit bij het koppelen of ontkoppelen.

Stereo systeemverbinding

RCA-aansluitingen

- De RCA-aansluitingsuitgangen geven analoge line-niveausignalen weer en kunnen direct met een paar actieve/aangedreven luidsprekers of met de geschikte ingang van je stereosysteem worden aangesloten.
- De rode stekker verbindt met het rechterkanaal en de witte stekker verbindt met het linkerkanaal.

Opmerking: De RCA-aansluitingen zijn niet ontworpen om direct te worden verbonden met de passieve/niet aangedreven luidsprekers. Indien verbonden met de passieve luidsprekers, zal het volumeniveau heel laag zijn.

Aux-ingangsaansluiting

Je kunt een audioapparaat aansluiten op dit apparaat en je muziek laten afspelen via de luidsprekers. Om dit te doen sluit je de 3,5 mm hulpkabel aan tussen je audioapparaat en de **Aux In-aansluiting** van dit apparaat en begin je met het afspelen van de muziek.

Opmerking:

De aux in-aansluiting overschrijft automatisch de functies van de draaitafel en Bluetooth. Om verder te gaan met het gebruik van de draaitafel- of Bluetooth-functies haal je de hulpkabel uit de aux in-aansluiting.

De functie-indicator zal paars zijn.

Draaitafelwerking

1. Draai de **Aan/uit-volumeknop** om het apparaat aan te zetten.
2. Stel de **functieschakelaar** in op de PHONO-positie.
Opmerking: De functie-indicator zal rood zijn
3. Stel de **snelheidsschakelaar** naar behoren in.
4. Leg de plaat op de draaitafel. Gebruik indien noodzakelijk de **45 toeren adapter**.
5. Verwijder de naaldbescherming van de naaldmontage.
Opmerking: Om schade aan de naald te voorkomen, moet je ervoor zorgen dat de inbegrepen naaldbescherming aanwezig is wanneer de draaitafel wordt verplaatst of gereinigd.
6. Laat de toonarm **neerhoudklem** los.
Opmerking: Als de draaitafel niet in gebruik is, moet je niet vergeten de achterste neerhoudklem te vergrendelen.
7. Gebruik de **toonarmhendel** om de toonarm op te tillen.
8. Beweeg de toonarm over de plaat naar de plek waar je wilt dat het afspelen begint. Plaats de **toonarmhendel** weer terug in de neerwaartse stand, de toonarm gaat langzaam naar beneden op de plaat en begint met afspelen.
9. Wanneer de plaat klaar is met afspelen, gebruik dan weer de **toonarmhendel** om de toonarm te verhogen en breng deze dan terug naar de toonarmsteun. Laat de hendel los om de toonarm weer terug te zetten naar de steun. Voor het opschorten van het afspelen, moet je de volgende stappen herhalen.
10. Vergrendel de **neerhoudklem** om de toonarm vast te zetten.

Automatische stop draaitafel

Als de **schakelaar voor de automatische stop** is ingesteld op de ON-stand, stopt de draaiplaat automatisch met draaien wanneer de plaat het einde bereikt. In zeldzame gevallen, als de draaitafel stopt met spelen voor het einde van de plaat, moet je de draaitafel naar de OFF-stand schakelen om dit probleem te verhelpen.

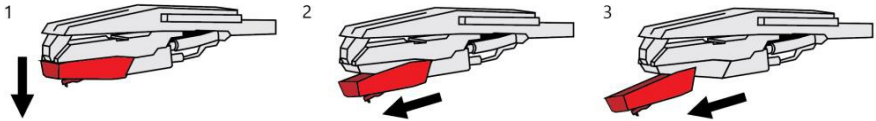
Toonhoogteregeling

De snelheid van de draaitafel kan worden verhoogd of verlaagd met ongeveer 10% door de knop voor de toonhoogteregeling te draaien. Draai de knop voor de toonhoogteregeling naar rechts om de snelheid te verhogen. Draai de knop naar links om de snelheid te verlagen.

Naaldvervanging

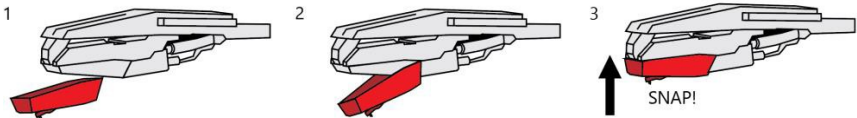
Naald verwijderen

1. Duw de voorkant van de naald voorzichtig naar beneden.
2. Duw de naald naar voren.
3. Duw naar buiten en verwijder.



Naald installeren

1. Plaats de naald met de punt naar beneden.
2. Lijn de achterkant van de naald uit met de cartridge.
3. Plaats de naald met de voorkant in een hoek naar beneden en til de voorkant van de naald omhoog totdat deze op zijn plaats klikt.



Bluetoothwerking

1. Stel de **functieschakelaar** in op de Bluetooth-modus. ✂

Opmerking: De functie-indicator gaat blauw knipperen.

2. Zet de Bluetooth-functie van je audioapparaat aan, zoek naar "CROSLEY CR8017" en koppel.
3. Zodra je apparaat succesvol is gekoppeld met het apparaat, hoor je een kort bevestigingsgeluid van het apparaat en de functie-indicator wordt blauw.
4. Speel en stream muziek van je apparaat naar de eenheid.

Opmerking: Bluetooth versie – 5.1

Bluetooth-uitgang werking

Deze draaitafel beschikt over Bluetooth-uitgang wat een apparaat is dat audio van deze draaitafel verzendt naar een ander Bluetooth-apparaat zoals draadloze Bluetooth-koptelefoons, Bluetooth-luidsprekers of andere apparaten die Bluetooth ontvangen.

1. Plaats het audioapparaat dat Bluetooth-technologie ondersteunt zo dicht mogelijk bij je draaitafel in de buurt.
2. Zet de functieschakelaar van de draaitafel in de middelste positie voor de Bluetooth-uitgang.
Opmerking: De functie-indicator gaat langzaam blauw knipperen.
3. Stel het apparaat in dat je wilt verbinden met de koppelingsmodus.
4. Je draaitafel verbindt automatisch met je audioapparaat zodra ze beide in de koppelingsmodus zijn.
5. Wanneer het koppelen voltooid is, zal de functie-indicator permanent blauw zijn.

Opmerking: Als het koppelen niet is gelukt, moet je controleren dat het audioapparaat niet is gekoppeld/verbonden met een ander Bluetooth-apparaat.

Onderhoud draaitafel

1. Raak de naaldpunt niet met je vingers aan. Voorkom het stoten van de naald tegen de draaitafelmat of een rand van de plaat.
2. Reinig de naald frequent met enkel een zachte borstel in een achterwaartse beweging.
3. Reinig de platen voor het verwijderen van stof of vet met een borstel speciaal voor het reinigen van platen en reinigungsoplossing speciaal voor platen.
4. Reinig de draaitafelkap en draaitafelkast met een licht vochtige microvezeldoek.

Opmerking: Gebruik geen reinigingsmiddel dat alcohol, benzeen of andere agressieve chemicaliën die de verf en afwerking van de draaitafel kunnen beschadigen.

**** Crosley biedt een productlijn van verschillende reinigungsaccessoires. Vraag ernaar je winkel of kijk op onze website www.crosleyradio.eu voor meer informatie over reinigungsproducten.**

Problemen oplossen

Er is geen voeding

- Voedingsadapter is niet juist aangesloten.
- Er is geen stroom in het stopcontact.
- Om te helpen met het besparen van energieverbruik voldoen sommige modellen aan de ERP-standaard voor energiebesparing. Als er langer dan 20 minuten geen audio-invoer is wordt de voeding automatisch verbroken.

Om de voeding weer in te schakelen en verder te gaan met afspelen, schakel het apparaat uit en weer in.

Voeding is ingeschakeld, maar de draaitafel draait niet

- De aandrijfriem van de draaitafel is weggeleden.
- Een aux in-kabel is in de aux in-aansluiting gestoken, haal de kabel eruit.

De draaitafel draait, maar er is geen geluid, of het geluid is niet luid genoeg

- Naaldbeschermmer is stil aanwezig.
- De toonarm wordt opgetild door de hendel.
- Koptelefoon is aangesloten.

FCC-verklaringen

Dit apparaat voldoet aan deel 15 van de FCC-regels. Werking is onderhevig aan de volgende twee voorwaarden:

- (1) Dit apparaat veroorzaakt geen schadelijke interferentie, en
- (2) dit apparaat moet ontvangen interferentie accepteren, inclusief interferentie die ongewenste werking kan veroorzaken.

Opmerking: Deze apparatuur is getest en voldoet aan de grenzen voor een klasse B digitaal apparaat, volgens deel 15 van de FCC-regels. Deze grenzen zijn ontworpen om redelijke bescherming te bieden tegen schadelijke interferentie in een residentiële installatie. Dit apparaat genereert, gebruikt en kan radiofrequentie-energie uitstralen en kan, indien niet geïnstalleerd en gebruikt in overeenstemming met de instructies, leiden tot schadelijke interferentie met radiocommunicatie. Er is echter geen garantie dat interferentie niet plaatsvindt in een speciale installatie. Als deze apparatuur geen schadelijke interferentie aan radio- of televisieontvangst veroorzaakt, wat kan worden bepaald door het aan- of uitzetten van de apparatuur, wordt de gebruiker gevraagd om één of meer van de volgende maatregelen te proberen om de interferenties te corrigeren:

- Oriënteer opnieuw of verplaats de ontvangstantenne.
- Verhoog de afstand tussen de apparatuur en de ontvanger.
- Sluit de apparatuur aan op een stopcontact op een circuit anders dan waar de ontvanger mee is verbonden.
- Raadpleeg de dealer of een ervaren radio/tv-monteur om te helpen.

Opmerking: De begunstigde is niet verantwoordelijk voor eventuele wijzigingen of modificaties die niet uitdrukkelijk zijn goedgekeurd door de verantwoordelijke partij voor de naleving. Zulke modificaties kunnen de autoriteit van de gebruiker om dit apparaat te gebruiken ongeldig maken.

Het apparaat is geëvalueerd om te voldoen aan de algemene vereiste voor RF-blootstelling. Om te blijven voldoen aan de RF-blootstellingsrichtlijnen van FCC, moet de afstand tussen de radiator en je lichaam minimaal 20 cm zijn en volledig worden ondersteund door de operationele en installatieconfiguraties van de zender en de antenne(s).

VEREENVOUDIGDE EU-CONFORMITEITSVERKLARING

Modern Marketing Concepts Inc. dba Crosley Brands, verklaart dat het type radioapparatuur in overeenstemming is met de richtlijn 2014/53/EU. De volledige tekst van de EU-conformiteitsverklaring is verkrijgbaar via het volgende internetadres: <http://crosleybrands.com/euDoC>

